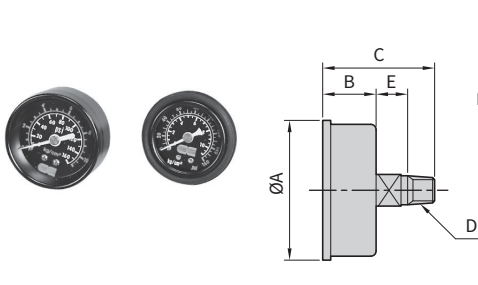


# PG series - Pressure Gauge

## Product features

CHELIC

### PG - Center back type



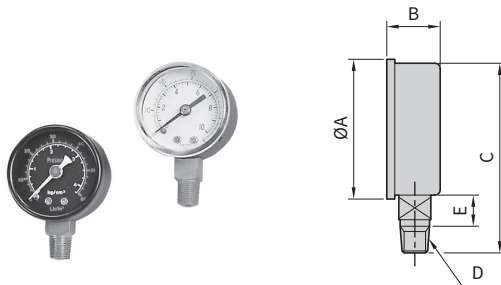
**Code of order**

PG: Pressure gauge  
 10: Model: 05: 1 1/4" Pressure gauge, 10: 1 1/2" Pressure gauge, 20: 2" Pressure gauge  
 S:  Center back type,  Bottom type  
 B: Pressure gauge material:  None,  Plastic cover,  Glass cover (Option)  
 L4: Max. service pressure: L1: 1 kgf/cm<sup>2</sup>, L2: 2 kgf/cm<sup>2</sup>, L4: 4 kgf/cm<sup>2</sup>,  None: 10 kgf/cm<sup>2</sup> (standard)

### Dimension

Model	Code	A	B	C	D	Remark	E
PG - 05 - <input type="checkbox"/>		33	20	34	1/8"		6
PG - 10 - <input type="checkbox"/>		42	23	38	1/8"	L1 = 1 kgf/cm <sup>2</sup> , L2 = 2 kgf/cm <sup>2</sup> , L4 = 4 kgf/cm <sup>2</sup>	4.5
PG - 20 - <input type="checkbox"/>		52.5	26	45.7	1/4"		7.4

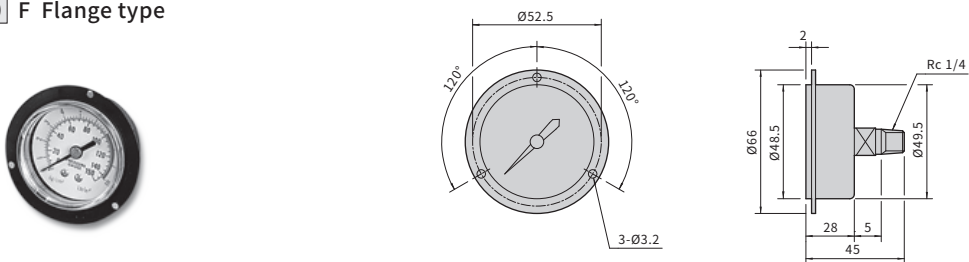
### PG - S Bottom type



### Dimension

Model	Code	A	B	C	D	E
PG-10-S		41.5	26	56.7	1/8"	5.5
PG-20-S		52.5	26.1	71.4	1/4"	6.3

### PG - F Flange type



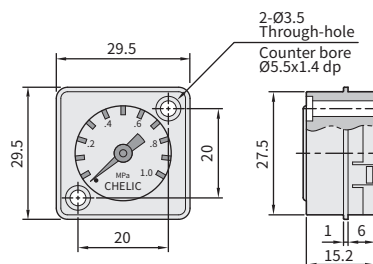
Technical drawing details: Front view shows a circular gauge with a diameter of  $\varnothing 52.5$  and three mounting holes with a diameter of  $3-\varnothing 3.2$  and a spacing of  $120^\circ$ . The side view shows a flange with a thickness of 2, an outer diameter of  $\varnothing 66$ , an inner diameter of  $\varnothing 48.5$ , and a mounting hole diameter of  $\varnothing 19.5$  with a chamfer of  $Rc 1/4$ . The gauge body has a diameter of  $\varnothing 19.5$  and a length of 28, with a total length of 45.

### PG - N Square pressure gauge

#### Specification

Item	Model	PG-22N
Fluid		Compressed air
Fluid temperature °C		5 ~ 60
Ambient temperature °C		5 ~ 60
Indication precision		$\pm 4\%$ (5-35°C Ambient temperature)
Shape		Square
Material		PBT Resin
Operating pressure MPa		0 ~ 1.0
Weight		11

#### Dimension



Technical drawing details: Front view shows a square gauge with a side length of 29.5 and a central hole diameter of 20. The side view shows a thickness of 27.5 and a mounting hole diameter of 15.2 with a counter bore of  $\varnothing 5.5 \times 1.4$  dp and two mounting holes of  $2-\varnothing 3.5$ .

#### Code of order

PG -  22 -  N

Pressure gauge - Code - Type:  
 : Square pressure gauge

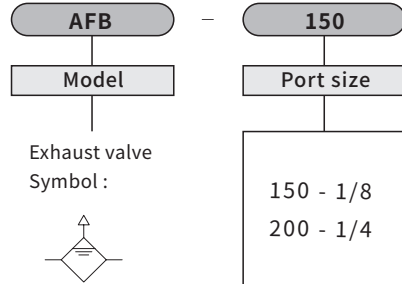
# AFB series - Exhaust valve

Product features/ Code of order

CHELIC



## Code of order



NC

NFC

PSN-10  
30,41

NFR

MFR

MFRD

NF

MF

MFD

NR

ARX

NPR

NL

N

DM

ERX

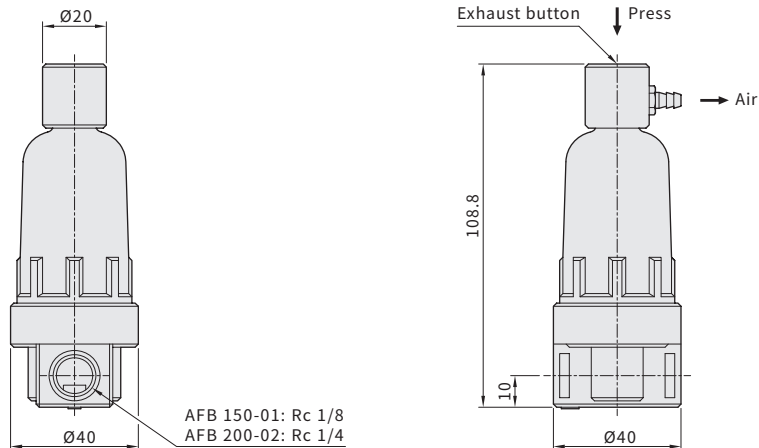
ERP

PG/AFB  
NDV/AD

## Specification

Item	Model	AFB-150	AFB-200
Fluid		Air	
Port size	Rc	1/8	1/4
Proof pressure	kgf/cm <sup>2</sup> (kPa)	9.2 (920)	
Ambient and fluid temperature	°C	5~60°C	
Recommended lubrication		First class lubricant ( ISO - VG32 ) or equivalent	
Weight	kg	0.1	0.2
Material	Body	Aluminum die-casted	
	Bowl	Relieving type	

## AFB - Standard



# NDV series - Auto Drain Valve

Product features/ Code of order

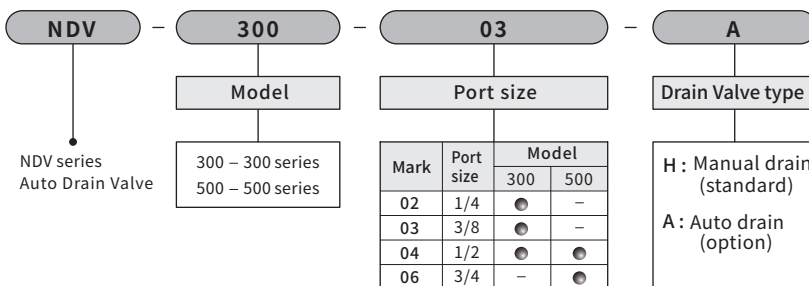
CHELIC



## Specification

Item	Model	NDV-300-02	NDV-300-03	NDV-300-04	NDV-500-04	NDV-500-06
Fluid		Air				
Port Size	Rc	1/4	3/8	1/2	1/2	3/4
Max. service pressure	kgf/cm <sup>2</sup> (kPa)	9.2 (920)				
Range of service temperature	°C	5 ~ 60				
Weight	kg	0.3			0.63	
Material	Body	Aluminum die-casted				
	Bowl	Relieving type				

## Code of order



# NDV series - Auto Drain Valve

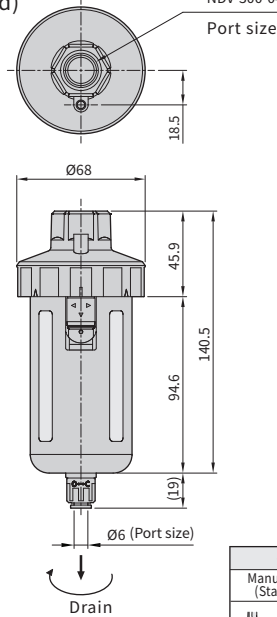
## Dimensions

CHELIC

### NDV - 300 - H

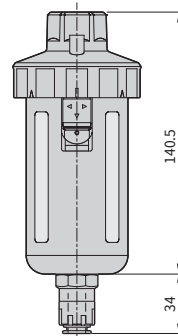
- Manual drain (Standard)

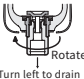
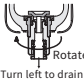
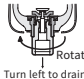
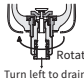
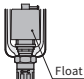
NDV-300-02: Rc 1/4  
 NDV-300-03: Rc 3/8  
 NDV-300-04: Rc 1/2



### NDV - 300 - A

- Auto drain (option)

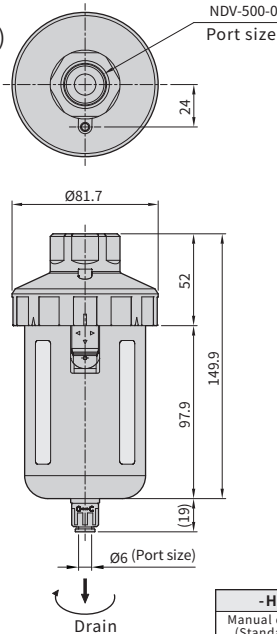


-H	-H-F1	-S	-S-F2	-A
Manual drain (Standard)	Manual drain cock with fitting (Option)	Semi-Auto drain (Option)	Semi-Auto drain with fitting (Option)	Auto drain (Option AD-35)
				
Rotate Turn left to drain	Rotate Turn left to drain	Rotate Turn left to drain	Rotate Turn left to drain	Float type

### NDV - 500 - H

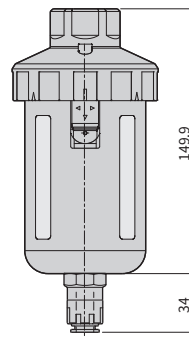
- Manual drain (Standard)

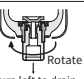
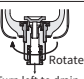
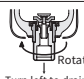
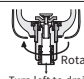
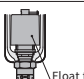
NDV-500-04: Rc 1/2  
 NDV-500-06: Rc 3/4



### NDV - 500 - A

- Auto drain (option)



-H	-H-F1	-S	-S-F2	-A
Manual drain (Standard)	Manual drain cock with fitting (Option)	Semi-Auto drain (Option)	Semi-Auto drain with fitting (Option)	Auto drain (Option AD-55)
				
Rotate Turn left to drain	Rotate Turn left to drain	Rotate Turn left to drain	Rotate Turn left to drain	Float type

NC

NFC

PSN-10  
30,41

NFR

MFR

MFRD

NF

MF

MFD

NR

ARX

NPR

NL

N

DM

ERX

ERP

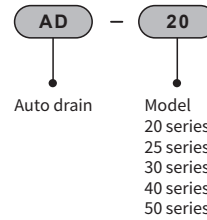
PG/AFB  
NDV/AD

# AD series - Auto drain

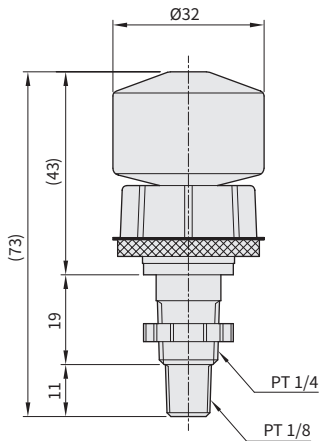
## Product features

CHELIC

### Code of order

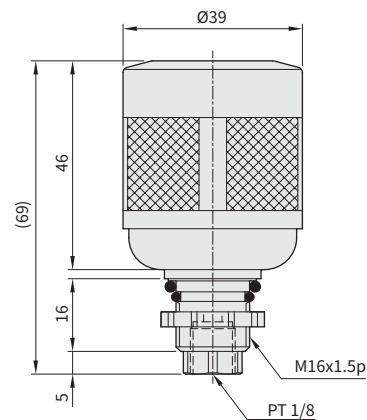


### AD-20 series



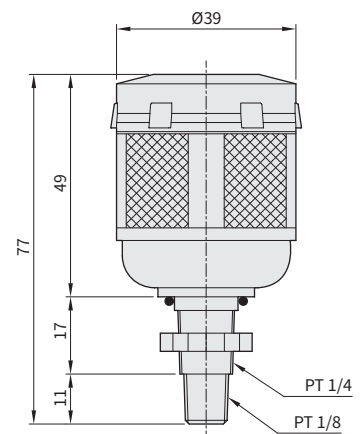
### AD 30 series

Suitable for B, C series



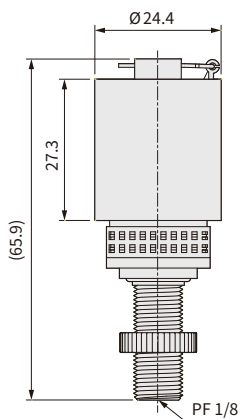
### AD 40 series

Suitable for B, C series



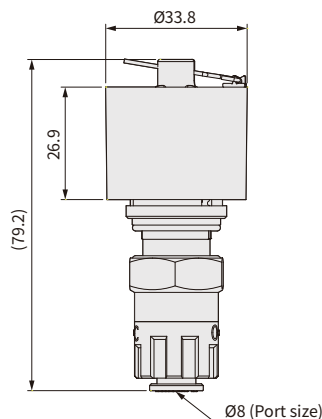
### AD 25 series

Suitable for N200, U200 series



### AD 35 series

Suitable for N300, U300 series



### AD 55 series

Suitable for N400-N500, DM, U400 series

