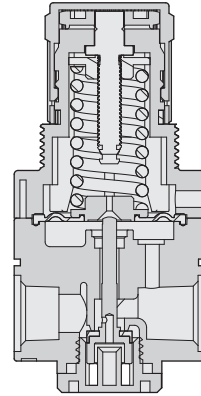
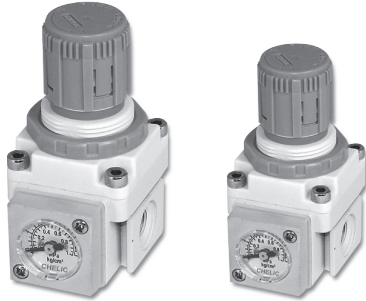


ERP series - Direct operated precision regulator

Product features

CHELIC

Internal structure



Symbol:



Specification

Item	Model	ERP-200	ERP-300
Fluid		Air	
Port size	Rc	1/8, 1/4	1/4, 3/8
Pressure range	2kgf/cm ²	0.05 ~ 2	
	4kgf/cm ²	0.05 ~ 4	
	6kgf/cm ²	0.08 ~ 6	
Air consumption	2kgf/cm ²	0.6L/min(ANR) or less	
	4kgf/cm ²	1L/min(ANR) or less	
	6kgf/cm ²	1.6L/min(ANR) or less	
Max. supply pressure	kgf/cm ² (kPa)	7 (700)	
Min. supply pressure	kgf/cm ² (kPa)	Pressure setting +0.5 (50)	
Ambient and fluid temperature	°C	-5 ~ 60	
Weight	kg	0.2	0.25
Body material		Aluminum alloy die-casting	

Code of order

ERP — 200 — 01 — G — PG-22N — L2 —

Model Model Port size Thread type Pressure gauge Max. pressure adjustment Bracket

Mark	Port size	Body size	
		200	300
01	1/8"	●	—
02	1/4"	●	●
03	3/8"	—	●

None	RC
G	G
N	NPT

None	Standard: 6kgf/cm ²
L2	2kgf/cm ²
L4	4kgf/cm ²

PG-22N

PG-10A

■ None : Standard
 Square gauge
 (Thin and positioned type)

None :
 Bracket included

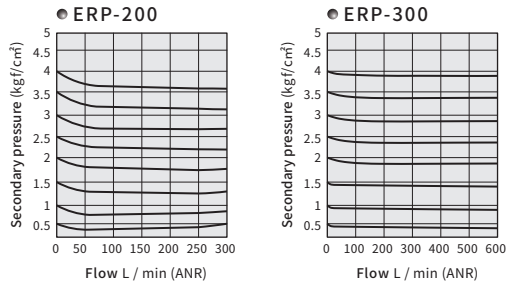
PG-10A : Pressure gauge (Option)

ERP series - Direct operated precision regulator

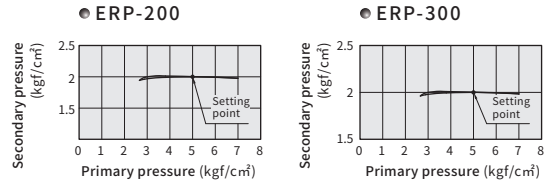
Product features

CHELIC

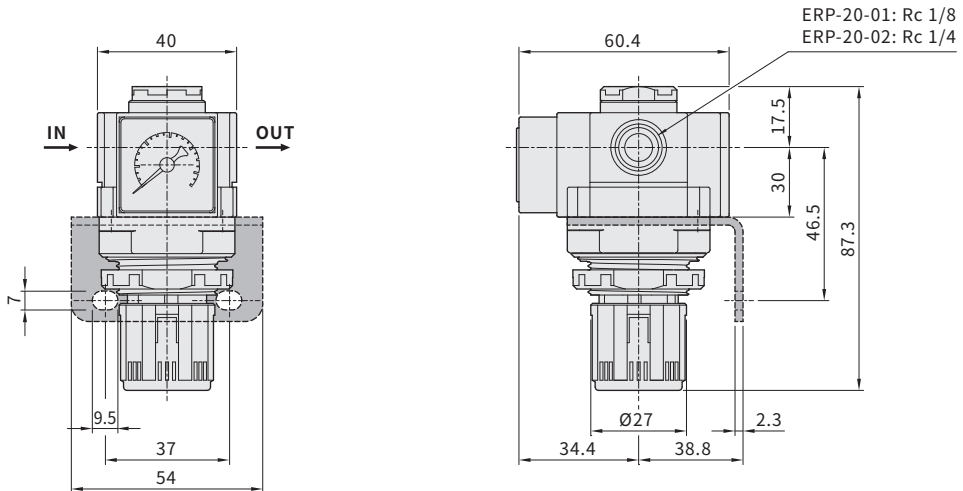
Flow rate characteristic graph



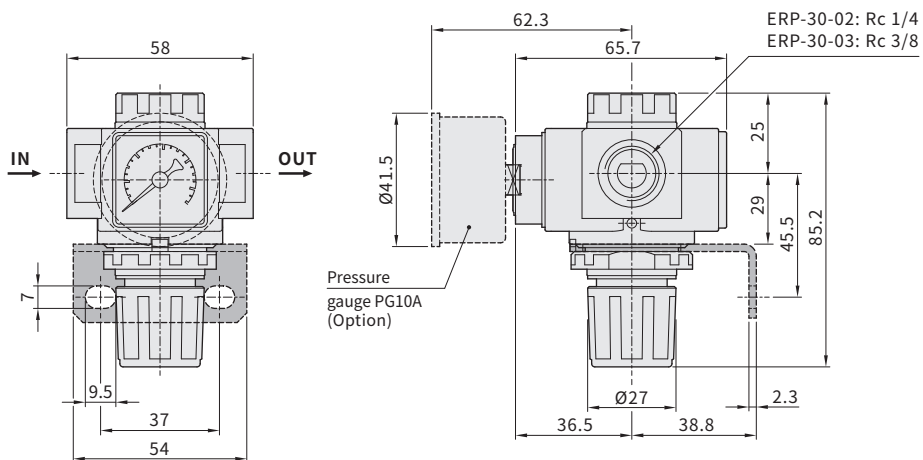
Pressure characteristics graph



ERP - 200 Standard



ERP - 300 Standard



NC

NFC

PSN-10
30,41

NFR

MFR

MFRD

NF

MF

MFD

NR

ARX

NPR

NL

N

DM

ERX

ERP

PG/AFB
NDV/AD