

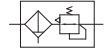
# MFR series Mist Separator Regulator

Product features/ Characteristics graph

CHELIC



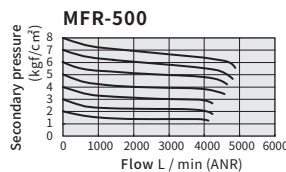
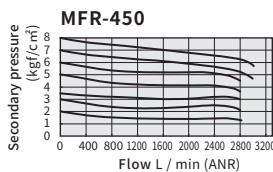
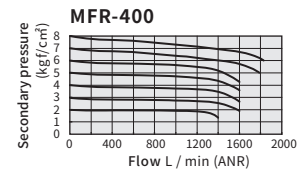
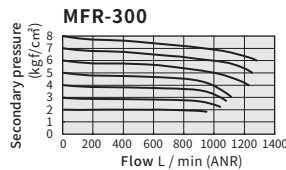
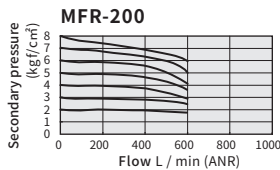
Symbol:



## Specification

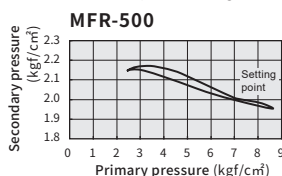
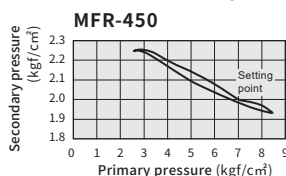
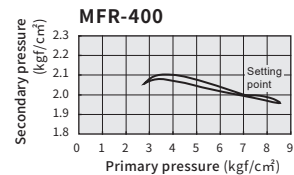
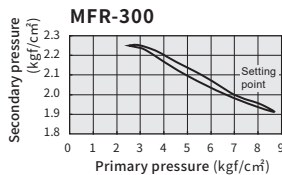
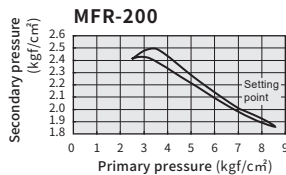
Item	Model	MFR-200	MFR-300	MFR-400	MFR-450	MFR-500
Fluid		Air				
Port size	Rc/G/NPT	1/8, 1/4	1/4, 3/8	1/4, 3/8, 1/2	1/2, 3/4	3/4, 1
Filter grade	μm	0.3				
Pressure range	kgf/cm <sup>2</sup> (kPa)	0.5 ~ 8.5 ( 50 ~ 850 )				
Max. service pressure	kgf/cm <sup>2</sup> (kPa)	9.5 ( 950 )				
Temperature	°C	5 ~ 60				
Bowl capacity	cc	15	30	60	100	100
Weight	kg	0.21	0.34	0.45	0.95	1.15
Material	Main body	Aluminum die cast				
	Bowl	Relieving type				

## Flow rate characteristic graph



Note : The flow rate dropping might be caused by working environment with dirt and objects; filter element is suggested to replace from time to time.

## Pressure characteristics graph



NC

NFC

PSN-10  
30,41

NFR

MFR

MFRD

NF

MF

MFD

NR

ARX

NPR

NL

N

DM

ERX

ERP

PG/AFB  
NDV/AD

# MFR series Mist Separator Regulator

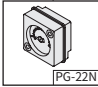

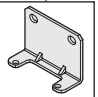
Code of order

CHELIC

## Code of order

MFR-300 - 03 - G - BG-A - F1 - PG 10 -

Model (1) Port size (2) Thread type (3) Bowl type (4) Fitting (5) Pressure gauge (6) Bracket

Model	Port size						Thread type			Bowl type		Fitting		Pressure gauge (6)	Bracket
	Mark	01	02	03	04	06	10	None	G	N	None	-F1			
	Port size	1/8	1/4	3/8	1/2	3/4	1	RC	G	NPT	None	Other bowl type			
MFR-200	Port connection	●	●					●	●	●	PC (Short bowl)	option	Manual drain cock	 PG-22N ■ None : (standard) (Square pressure gauge) (Thin mounting type)  PG-10A : Pressure gauge (option) ※ MFR200 - MFR500 series (option)	 ■ None : With bracket (standard)
MFR-300			●	●				●	●	●	Bowl guard (Short bowl)	option			
MFR-400				●	●	●		●	●	●	Bowl guard (Standard)	option			
MFR-450					●	●	●	●	●	●	Bowl guard (Standard)	option			
MFR-500							●	●	●	●	Bowl guard (Standard)	option			

※ Please see the below table in detail.

## With Bowl and Drain cock type ← ④

## With Fitting - F1 ← ⑤

## MFR-200 type - Bowl and Drain cock type - ④

Bowl type	PC (Short bowl)		Bowl guard (Short bowl)		PC (Long bowl)	Bowl guard (Long bowl)	Metal (Long bowl)
Drain cock type	Manual drain cock	Differential pressure	Manual drain cock	Differential pressure	Auto drain	Auto drain	Auto drain
Model	-H	-A	-BG-H	-BG-A	-LG-A	-LBG-A	-LMG-H
MFR-200	● (standard)	● (option)	● (option)	● (option)	● (option)	● (option)	● (option)

## MFR-200 type - With Fitting - F1 - ⑤

MFR-200	-	● (standard)	● (option)	● (standard)	● (standard)	● (standard)	-
Description		Note.1 (Fitting outside)	Note.1 (Fitting outside)	Note.1 (Fitting outside)	(PF1/8 Male thread)	(PF1/8 Male thread)	

## MFR-300~500 type - Bowl and Drain cock type - ④

Bowl type	Bowl guard (Standard)			Bowl guard (Long bowl)		Metal (Long bowl)	
Drain cock type	Manual drain cock	Differential pressure	Auto drain	Manual drain cock	Auto drain	Manual drain cock	Auto drain
Model	-H	-S	-A	-LG-H	-LG-A	-MG-H	-MG-A
MFR-300	● (standard short)	● (option)	-	● (option)	● (option)	● (option)	● (option)
MFR-400	● (standard)	● (option)	● (option)	-	-	● (option)	● (option)
MFR-450	● (standard)	● (option)	● (option)	-	-	● (option)	● (option)
MFR-500	● (standard)	● (option)	● (option)	-	-	● (option)	● (option)

## MFR-300~500 type - With Fitting - F1 - ⑤

MFR-300~500 Note	● (option)	● (option)	● (standard)	● (option)	● (standard)	● (option)	● (standard)
------------------	------------	------------	--------------	------------	--------------	------------	--------------

- Note : 1. MFR200 series are outside fitting, others are inside fitting; please refer to P.1-1.06 auto drain construction.  
 2. MFR300 series are standard manual type. (-H Short bowl type)  
 3. (standard) : Standard accessory; (option) : Optional accessory.

## Pressure gauge - ⑥

Pressure gauge		MFR-200	MFR-300	MFR-400	MFR-450	MFR-500
Model	Order code					
PG-10	P10	● (option)	● (option)	● (option)	● (option)	● (option)
PG-22N	P22	● (standard)	● (standard)	● (standard)	● (standard)	● (standard)

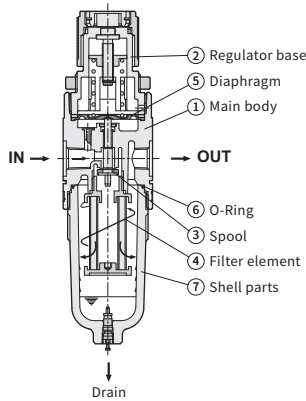
# MFR series Mist Separator Regulator

## Product features

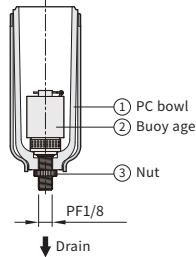
CHELIC

### Internal structure

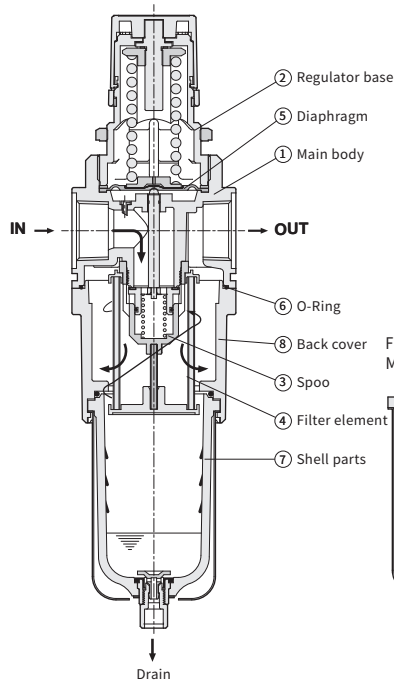
MFR200



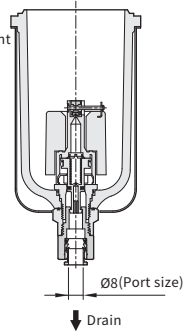
(Long bowl)  
Float auto drainer (N.C)  
Model: AD-25



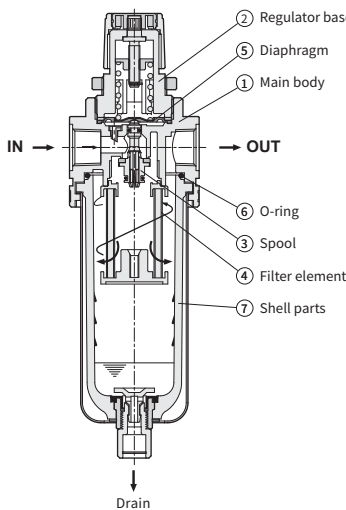
MFR500



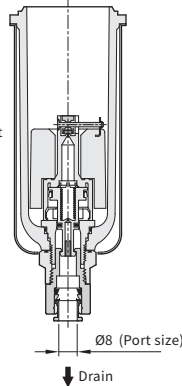
Float auto drainer (N.C)  
Model: AD-55



MFR300, MFR400, MFR450



(Long bowl)  
Float auto drainer(N.C)  
Model: AD-55  
AD-35(MFR300)



### Component

Number	Accessory	Material		Note
		MFR100, MFR200, MFR300, MFR400, MFR450	MFR500	
1	Main body	Aluminum alloy		
8	Back cover		Aluminum alloy	

### Replacement parts

Number	Accessory	Material						Note
		MFR100	MFR200	MFR300	MFR400	MFR450	MFR500	
2	Base	Aldehyde resin					Aluminum alloy	
3	Spool	Copper+NBR						
4	Filter element	EA30						
5	Diaphragm	POM	Stainless still +NBR					
6	O-ring	NBR						
7	Shell parts	PC	PC				PC+SS41	

Note: The shell parts in MFR300-MFR500 is included Bowl guard (Material : SS41)  
MFR200 are included bowl guard. (Material : Aluminum alloy)

NC

NFC

PSN-10  
30,41

NFR

MFR

MFRD

NF

MF

MFD

NR

ARX

NPR

NL

N

DM

ERX

ERP

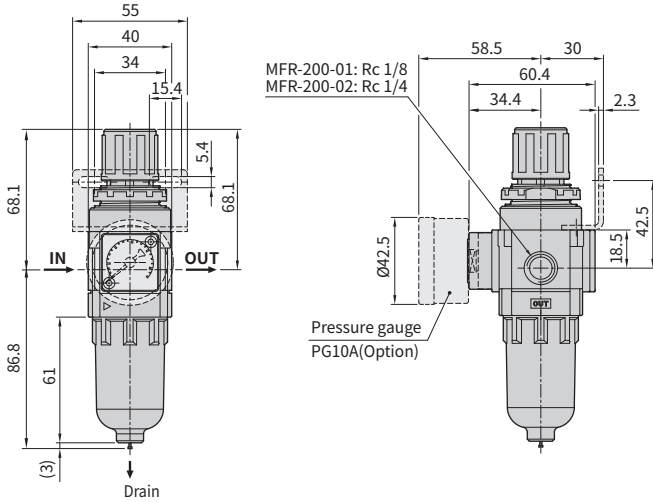
PG/AFB  
NDV/AD

# MFR series Mist Separator Regulator

## Dimensions

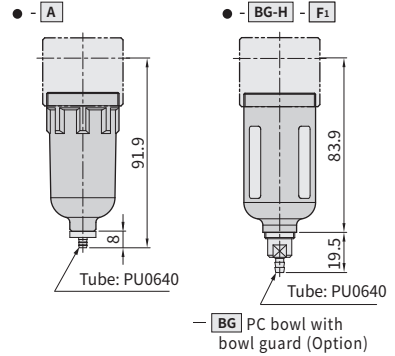
CHELIC

► MFR - 200 - [ ] - H

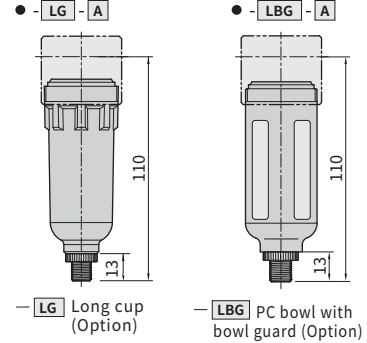


- H	- BG-H - F1	- A	- LG - A	- LBG - A
Manual drain cock (standard)	Manual drain cock (With bowl guard, Fitting)	Auto drain (Differential pressure should be above 1kg)	Auto drain (AD-25)	Auto drain (AD-25)
Button Push	Bowl guard F1 Fitting Push			

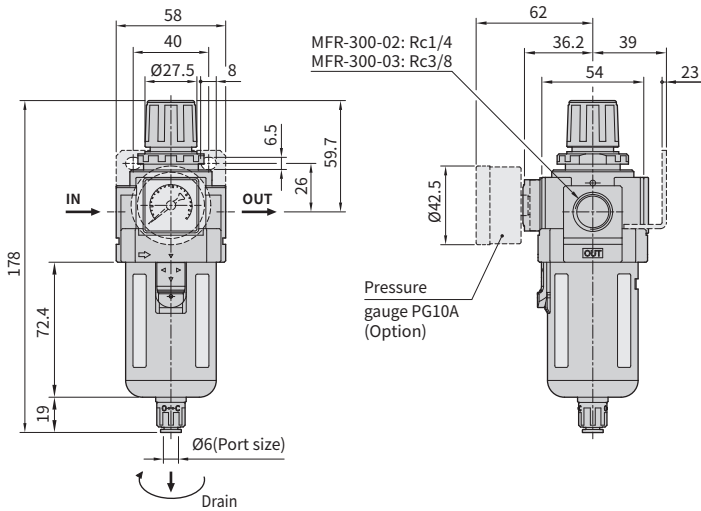
Manual drain cock-Standard



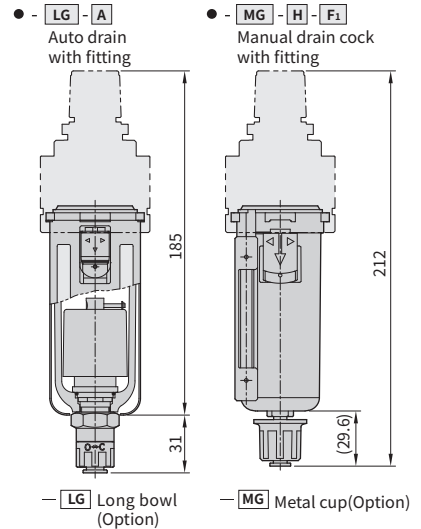
Auto drain-Long cup



► MFR - 300 - [ ] - H Standard



- H	- H-F1	- S	- S-F2	- A
Manual drain (Standard)	Manual drain cock with fitting (Option)	Semi-Auto drain (Option)	Semi-Auto drain with fitting (Option)	Auto drain (Option AD-35)
Rotate Turn left to drain	Rotate Turn left to drain	Rotate Turn left to drain	Rotate Turn left to drain	Float type



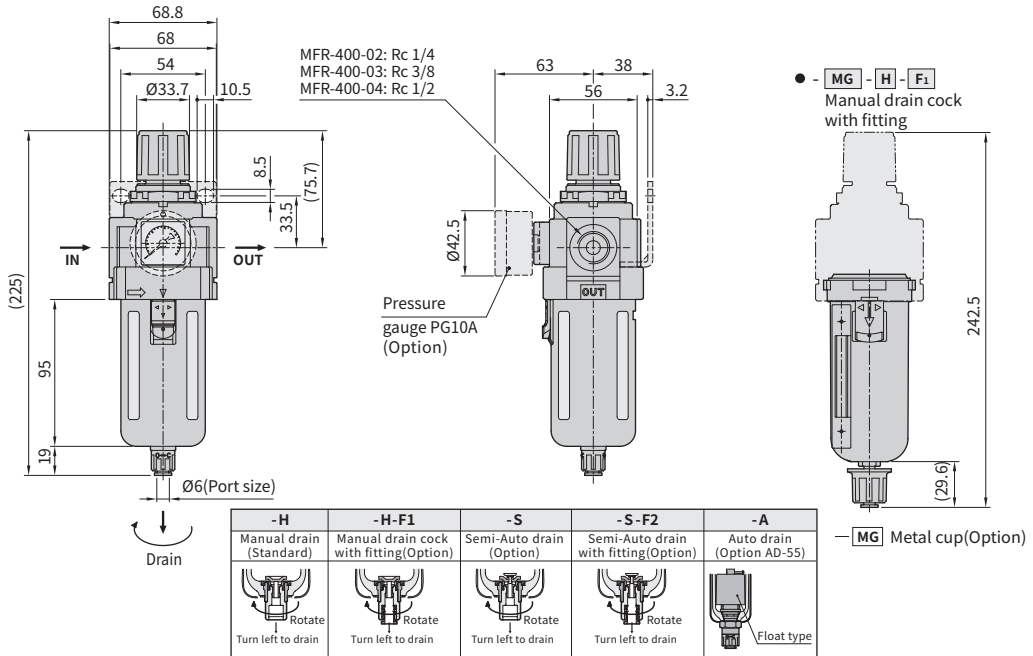
🔍 Note: Above auto drainer is AD-35.

# MFR series Mist Separator Regulator

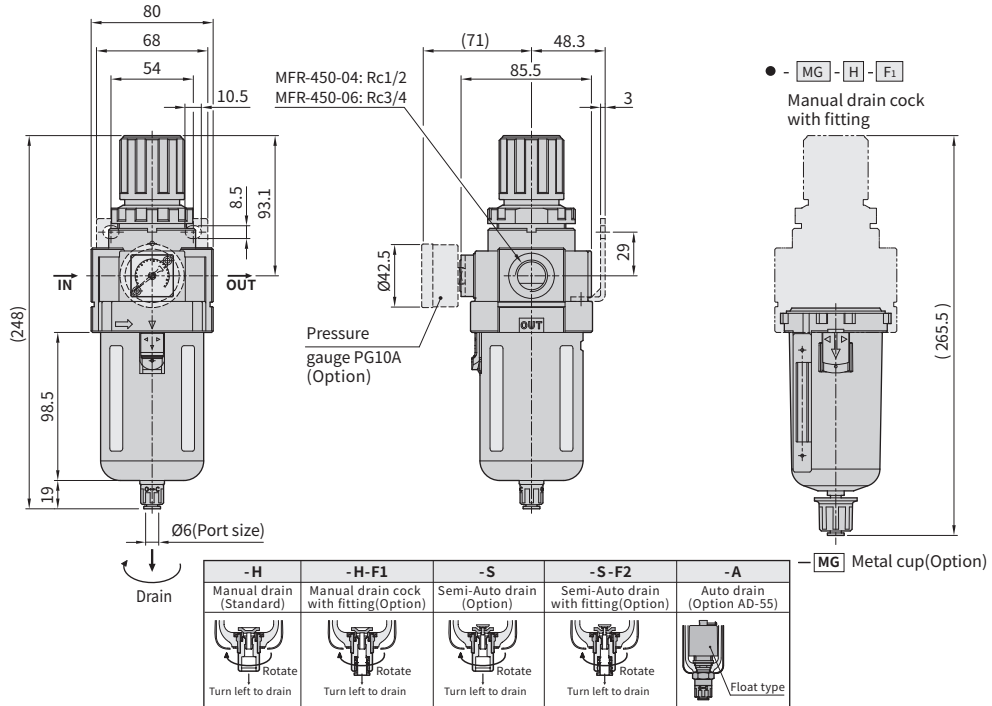
## Dimensions

CHELIC

### ► MFR - 400 - [ ] - H Standard



### ► MFR - 450 - [ ] - H Standard



NC

NFC

PSN-10  
30,41

NFR

MFR

MFRD

NF

MF

MFD

NR

ARX

NPR

NL

N

DM

ERX

ERP

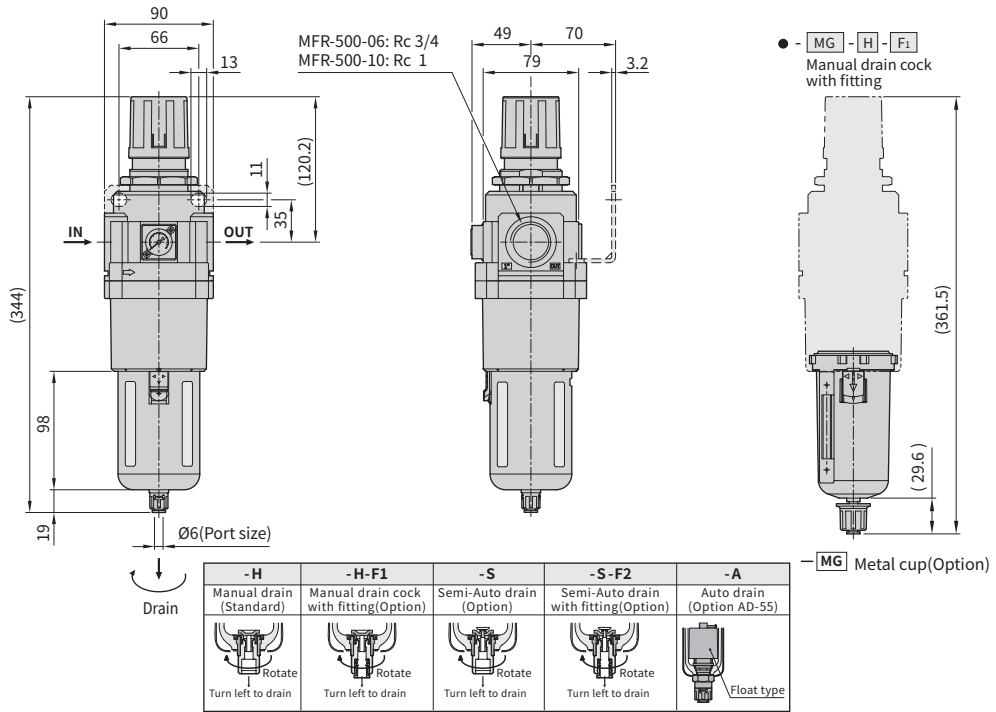
PG/AFB  
NDV/AD

# MFR series Mist Separator Regulator

## Dimensions

CHELIC

● MFR - **500** - **H** Standard



Note: Above auto drainer is AD-55.