

AL/ BL/ CL series Lubricator

Product features

CHELIC



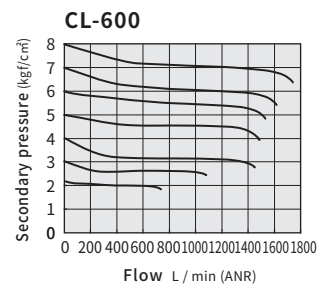
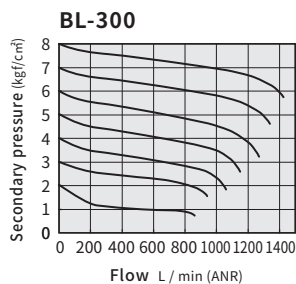
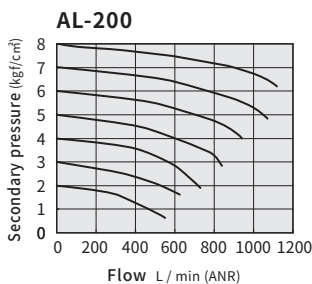
Symbol:



Specification

Item	Model	AL-150 (200)	BL-200 (300)	CL-400 (600)
Fluid		Air		
Port Size	Rc	1/8, (1/4)	1/4, (3/8)	1/2, (3/4)
Pressure range	kgf/cm ² (kPa)	0.5 ~ 8.5 (50~850)		
Max. pressure	kgf/cm ² (kPa)	9.5 (950)		
Ambient and fluid temperature	°C	5 ~ 60		
Lubricator capacity	cc	25	90	160
Recommended lubrication		Lubricant class 1 (ISO - VG32) or equivalent		
Weight	kg	0.17	0.36	0.42
Material	Body	Aluminum die-casted		
	Bowl	Relieving type		

Flow rate characteristic graph



AC
BC
CC

AFC
BFC
CFC

FR

F

R

L

A/B/C

AL/ BL/ CL series Lubricator

Code of order

CHELIC

Code of order

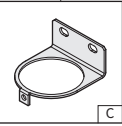
AL - 200 - G - BG - C

Model (1) Port size (2) Thread type (3) Bowl type (4) Bracket (5)

Model	Mark	150	200	300	400	600
Port connection	Port size	1/8	1/4	3/8	1/2	3/4
	AL	●	●			
	BL		●	●		
CL				●	●	

None	G	N
RC	G	NPT
●	●	●
●	●	●
●	●	

None	Other bowl type
PC(short bowl)	option
Bowl guard (standard)	option
Bowl guard (standard)	option



■ None: Without bracket
 [C]: With bracket (option)

※ LUBRICATOR series
 AL: Mini size
 BL: Medium size
 CL: Large size

※ Please see the below table in detail.

Bowl and Drain cock type ← (4)

A series (4)

Bowl type	PC bowl	Bowl guard
Model	None	-BG
AL-150	● (standard)	● (option)
AL-200	● (standard)	● (option)

B, C series (4)

Bowl type	Bowl guard
Model	None
BL-200	● (standard)
BL-300	● (standard)
CL-400	● (standard)
CL-600	● (standard)

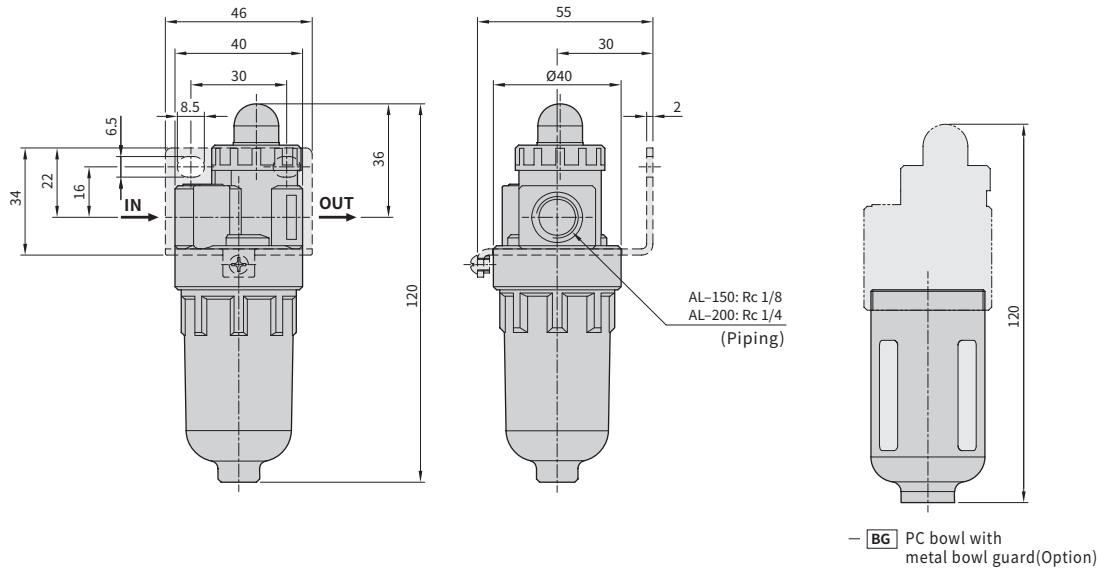
🔍 Note: (standard): Standard accessory; (option): Optional accessory.

AL/ BL/ CL series Lubricator

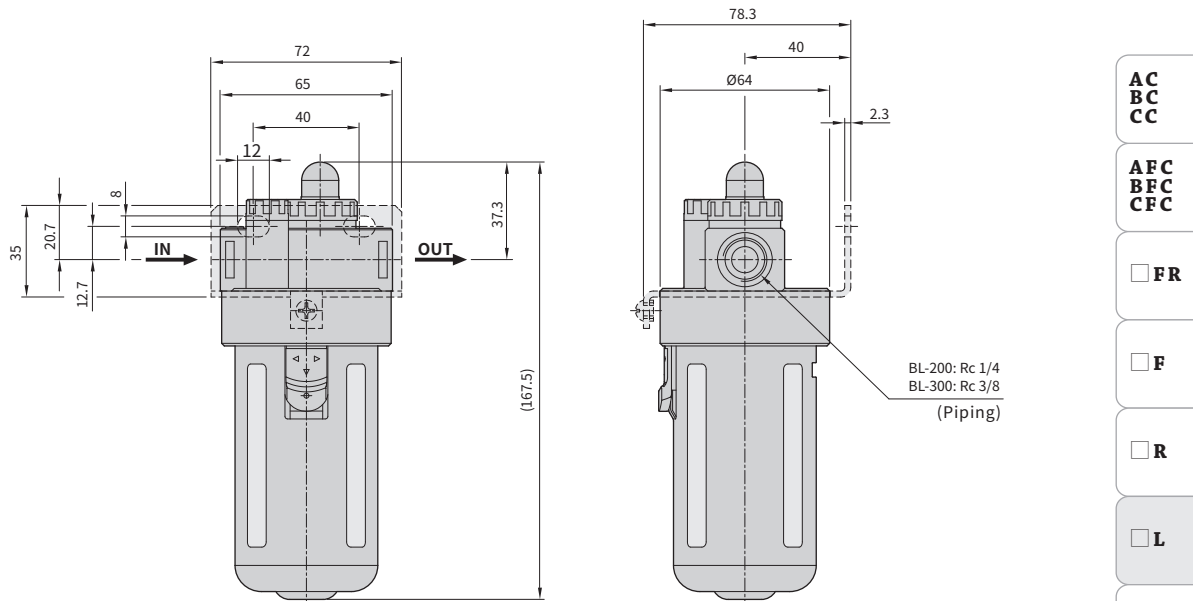
Dimensions

CHELIC

AL - 150



BL - 200



AL/ BL/ CL series Lubricator

Dimensions

CHELIC

CL - 400

