

UL series Lubricator

Feature/ Specification/ Code of order

CHELIC

Feature

- Provide lubricating oil for lubricator in the air pressure line.
- Lubrication function can be adjustable.
- Modulization with U series.



Symbol :



Specification

Item	Model	UL 200	UL 300	UL 400
Port size	Rc	1/8, 1/4	1/4, 3/8	1/4, 3/8, 1/2
Fluid		Air		
Pressure range	kgf/cm ² (kPa)	0.5 ~ 8.5 (50 ~ 850)		
Max. service pressure	kgf/cm ² (kPa)	10 (1000)		
Ambient and fluid temperature	°C	5 ~ 60		
Recommended lubrication		ISO VG32		
Minimum dripping flow rate	L/min	30	85	92
Lubricator capacity	cc	30	55	100
Weight	kg	0.11	0.23	0.37
Material	Body	Aluminum alloy die-casting		
	Bowl	Relieving type		

Code of Order **UL 400 - 03 - G - MG - C**



	Mark	Specification	Model		
			UL 200	UL 300	UL 400
1 — Connection port	01	1/8	●		
	02	1/4	●		
	03	3/8		●	●
	04	1/2			●
3 — Thread type	None	RC	●	●	●
	G	PF	●	●	●
	N	NPT	●	●	●
4 — Bowl material	None	PC cup	●	●	●
	MG	Metal cup	●	●	●
5 — Bracket	None	No bracket	●	●	●
	C	Bracket	●	●	●

UC

UFC

UFR

UF

UFM

UR

UL

PN300D

UHS

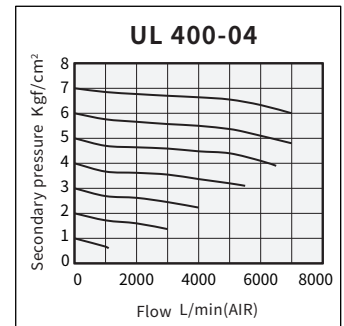
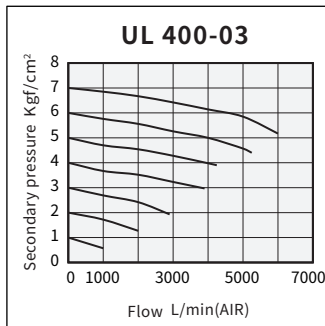
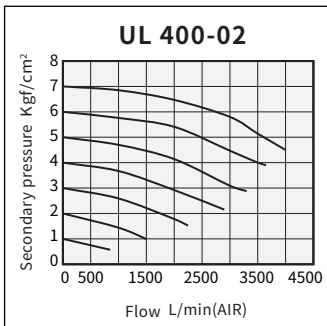
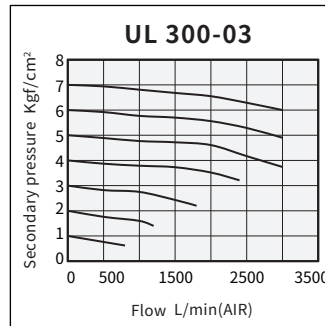
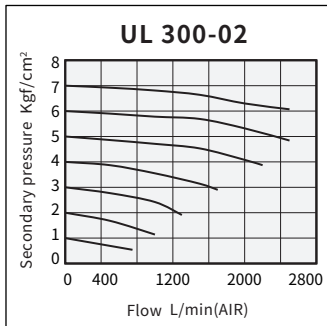
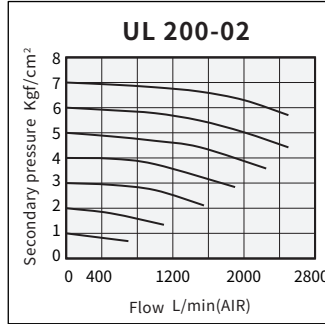
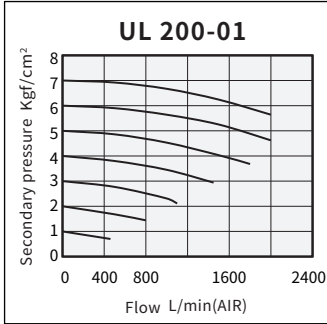
UV

UL series Lubricator

Flow rate characteristic graph

CHELIC

Flow rate characteristic graph

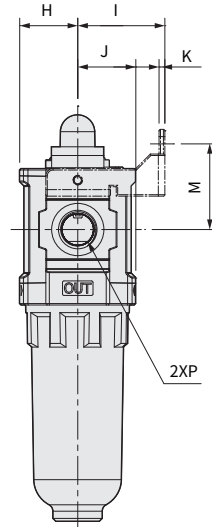
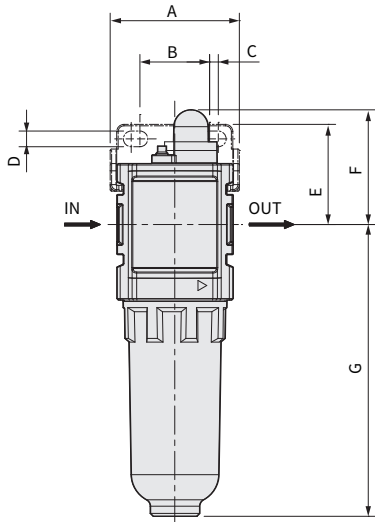


UL series Lubricator

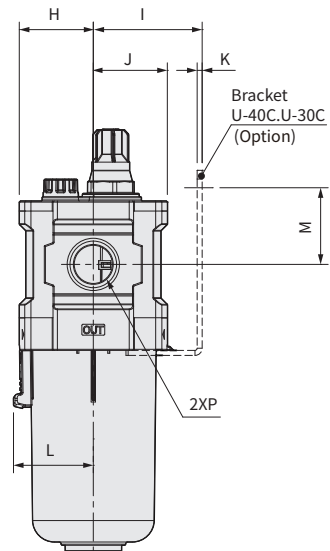
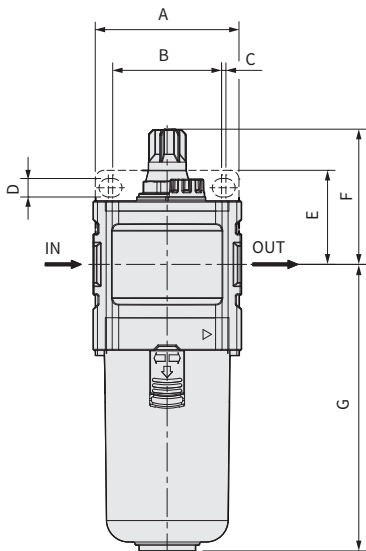
External dimensions

CHELIC

UL 200



UL 300 ~ 400



Unit:mm

No. Model	Size													Female thread
	A	B	C	D	E	F	G	H	I	J	K	L	M	P
UL 200	44.5	24	3	5.4	34.5	39.5	87.5	20	30	20	2	/	29.5	1/8, 1/4
UL 300	54	42.5	/	6.5	38.7	62.2	122	27	41	27	2	30.4	32.1	1/4, 3/8
UL 400	66	50	2	8.5	43.2	61.8	131.6	34	50	34	2.3	36.7	35.2	1/4, 3/8, 1/2

UC

UFC

UFR

UF

UFM

UR

UL

PN300D

UHS

UV

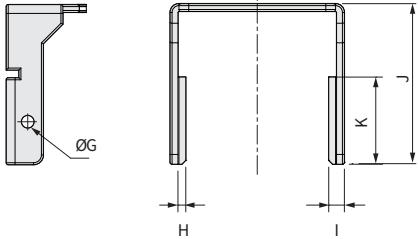
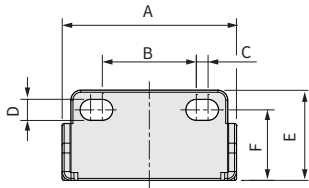
Modularize Series Multi-function Unit

U Series Accessory Size

CHELIC

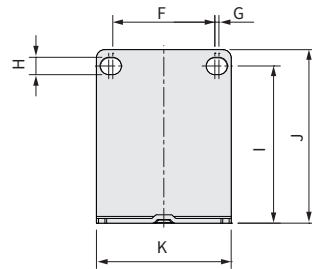
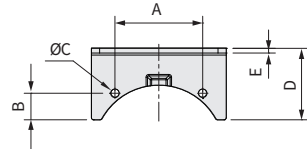
U 20C Type

Applicable to UF 200, UL 200



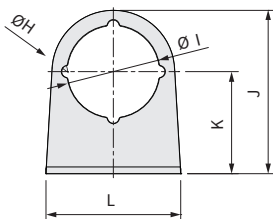
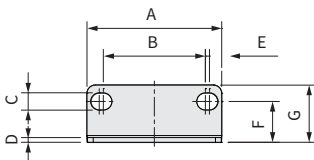
U 30C.U 40C Type

Applicable to UF 300, UL 300, UF 400, UL 400



U 20B.U 30B.U40B Type

Applicable to UFR 200, UFR 300, UFR 400
UR 200, UR 300, UR 400



Unit:mm

No. Model	Size											
	A	B	C	D	E	F	G	H	I	J	K	L
U 20B	39.9	24.6	5.4	2	2.4	19	24	1.8	28.8	47.5	30	40
U 30B	54	29.4	6.5	2	6.5	17.4	24	4.3	36.5	66	41	54
U 40B	66	50	8.5	2.3	1	20	28	6	45.5	78.5	48.5	66
U 20C	44.5	24	3	5.4	23	18	3.3	2	4	41	22.25	
U 30C	33	27	4.2	26.7	2	29.5	6.5	6.5	66.15	72.8	54	
U 40C	43	13	4.2	33.5	2.3	50	1	8.5	77	85	66	