

## Series ICK-09 and ICK-10

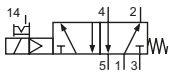
### Technical details

<b>Connection</b>	ICK-09: G1/8 ICK-10: G1/4
<b>Nominal size</b>	ICK-09: 6 mm ICK-10: 9 mm
<b>Temperature range</b>	-30°C ... +80°C
<b>Medium</b>	Filtered, oil-free and dried compressed air according to ISO 8573-1:2010, Class 7:2:4, instrument air, free of aggressive additives. Differing the pressure dew point must be at least 10°C below lowest occurring ambient temperature.
<b>Materials</b>	Body: Al (anodized), seals: FKM and PU, inner parts: Al, stainless steel and brass
<b>Protection</b>	IP 65 according to EN 60529

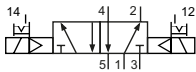


Electrically operated spool valve. The manual override is detent and is operated by screw driver.

### 5/2-way-valves

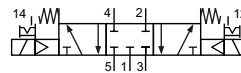


ICK-09-511-HN-xxx  
ICK-10-511-HN-xxx  
5/2-way, single solenoid, mechanical spring return



ICK-09-520-HN-xxx  
ICK-10-520-HN-xxx  
5/2-way, double solenoid

### 5/3-way-valves



ICK-09-530-HN-xxx  
ICK-10-530-HN-xxx  
5/3-way, center position closed

Please complete: xxx = electrical option

### Electrical options

Nominal voltage	Power consumption	Specifics	Plug connection*1	-xxx Manual override on same side of ports	
				2 and 4	1, 3 and 5
24 V DC	4.2 W		Form B industrial norm	-F42	-F12

\*1 Plug socket not included, suitable plug sockets see page 6-03.

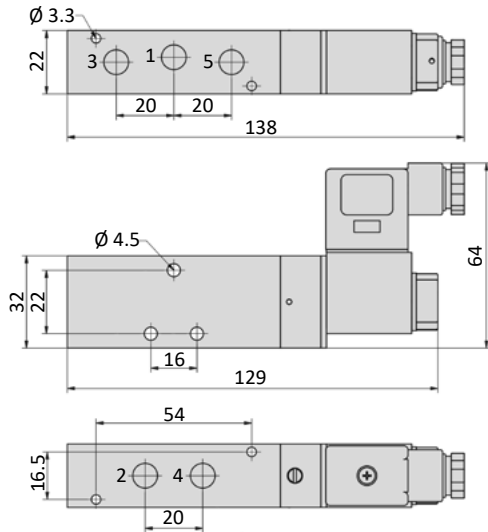
### Technical data

Model-no.:	ICK-09-511	ICK-09-520	ICK-09-530	ICK-10-511	ICK-10-520	ICK-10-530
<b>Operating pressure (bar)</b>	3 ... 8	3 ... 8	3 ... 8	2.5 ... 8	2.5 ... 8	3 ... 8
<b>Pilot pressure (bar)</b>	3 ... 8	3 ... 8	3 ... 8	2.5 ... 8	2.5 ... 8	3 ... 8
<b>Flow rate (NI/min)</b>	810	950	680	1800	2100	1500
<b>Response time (ms) at 6 bar</b>	on: 13 off: 28	on: 15 off: 15	on: 14 off: 16	on: 16 off: 27	on: 18 off: 18	on: 16 off: 22
<b>Weight (kg)</b>	0.231	0.330	0.330	0.470	0.630	0.630

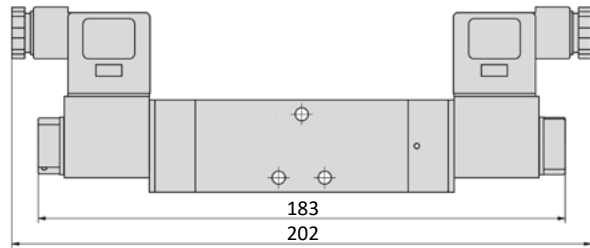
## Series ICK-09 and ICK-10

### Dimensions

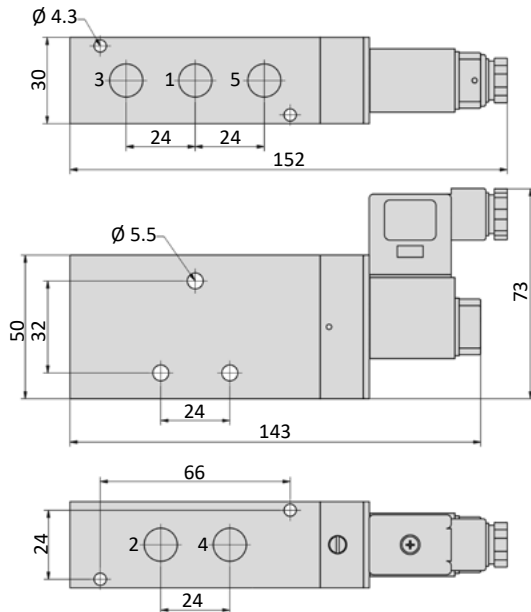
#### ICK-09-511-HN



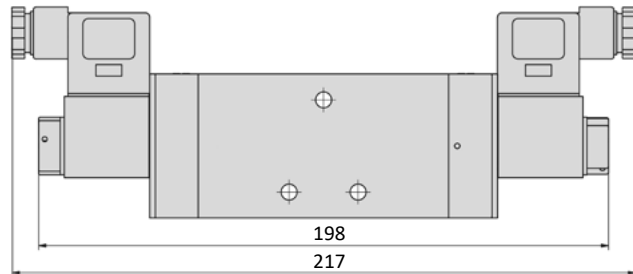
#### ICK-09-520-HN, ICK-09-530-HN



#### ICK-10-511-HN



#### ICK-10-520-HN, ICK-10-530-HN



- 1 = pressure inlet
- 2,4 = outlets
- 3,5 = exhausts

Plug socket (not included in scope of delivery) can be repositioned by 180°. Solenoid coil can be repositioned.

## Form B industrial norm

<b>Overall width</b>	22 mm
<b>Contact distance</b>	11 mm
<b>Contacts</b>	2P + E
<b>Protection</b>	IP 65 according to EN 60529 requires a flat gasket
<b>For use with series</b>	ICK-09, ICK-10, KMX-09, KMX-10, ICKN-55, KNX-55

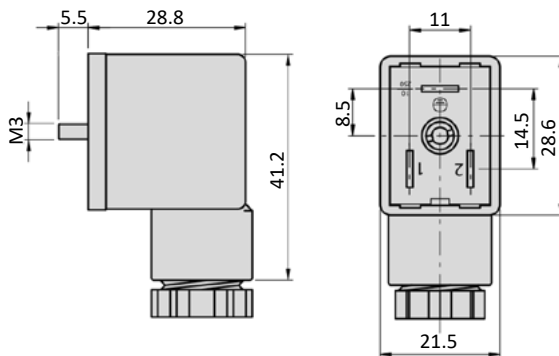


<b>Model-no.:</b>	28-ST-01	28-ST-04-112	28-ST-04-127	28-ST-06-112	28-ST-06-127	28-ST-06-K3-112*	28-ST-06-K3-127*
<b>Voltage (AC/DC)</b>	0 - 250 V	10 - 50 V	70 - 250 V	24 V	230 V	24 V	230 V
<b>Status indicator</b>	no	yes	yes	yes	yes	yes	yes
<b>Protective circuit</b>	no	no	no	yes (varistor)	yes (varistor)	yes (varistor)	yes (varistor)
<b>Connecting cable</b>	without	without	without	without	without	3 m	3 m
<b>Wire cross section</b>	max. 1.5 mm <sup>2</sup>	max. 1.5 mm <sup>2</sup>	max. 1.5 mm <sup>2</sup>	max. 1.5 mm <sup>2</sup>	max. 1.5 mm <sup>2</sup>	3 x 0.75 mm <sup>2</sup>	3 x 0.75 mm <sup>2</sup>
<b>Ø Connecting cable</b>	6 - 8 mm	6 - 8 mm	6 - 8 mm	6 - 8 mm	6 - 8 mm		

\* These plug sockets are fitted with integrated flat gaskets.

## Dimensions

### Form B industrial norm



## Solenoid coils

### Form B industrial norm

Overall width	22 mm
Contact distance	11 mm
Contacts	2P + E
Protection	IP 65 according to EN 60529 with connected plug socket
Duty cycle	100 %
Temperature range*	-50°C ... +80°C
Voltage tolerance	± 10 %
For use with series	ICK-09, ICK-10, KMX-09, KMX-10, ICKN-55, KNX-55



\* The max. applicable operating temperature, depends on the temperature specification of the used valve.

Model-no.:	23-SP-011-1-712
Voltage	24 V DC
Power consumption DC	4.2 W
Power consumption AC	-
Specifics	enhanced humidity resistance

### Dimensions

#### Form B industrial norm

