

# Preparation unit—GT Series(Short PC bowl type)

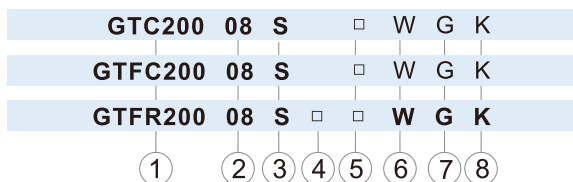
GTC, GTFC, GTFR, GTF, GTL Series



## Product feature

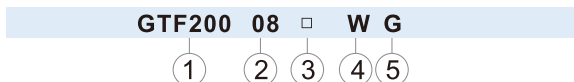
1. GT series is the shorter PC bowl version of GA200 series. Besides from the feature of GA200, GT series also has the below features.
2. drain bowl and oil bowl are shorter than GA200, which is suitable for restricted space installation.
3. No Auto drain available.  
Drain type is semi-auto drain+manual drain.

## Ordering code

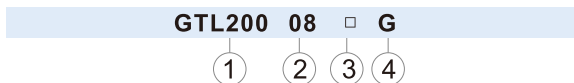


①Model	②Port size	③Type code	④Accessories	⑤Pressure gauge	⑥Filtering grade	⑦Thread type	⑧Code of reflux valve
GTC200: GT200 Series F.R.L unit (Short PC bowl)	06: 1/8" 08: 1/4"	S: Standard L: Lower pressure [Note1]	No this code	Blank: Circular N: No gauge [Note2]	Blank: 40µm W: 5µm	Blank: PT(MPa/psi) G: G(bar/MPa) T: NPT(psi/bar)	Blank: No reverse flow valve is attached K: Reverse flow valve is attached [Note2]
GTFC200: GT200 Series FR.L unit (Short PC bowl)							
GTFR200: GT200 Series Filter & regulator (Short PC bowl)			Blank : Bracket J : No bracket				

[Note1]The work pressure of lower pressure type is 0.15~0.4MPa(20~58psi) ; [Note2] Please refer to page 235 for details of sealing plate Installation and reflux valve.



①Model	②Port size	③Accessories	④Filtering grade	⑤Thread type
GTF200: GT200 Series Filter (Short PC bowl)	06: 1/8" 08: 1/4"	Blank : Bracket J : No bracket	Blank: 40µm W: 5µm	Blank: PT G: G T: NPT



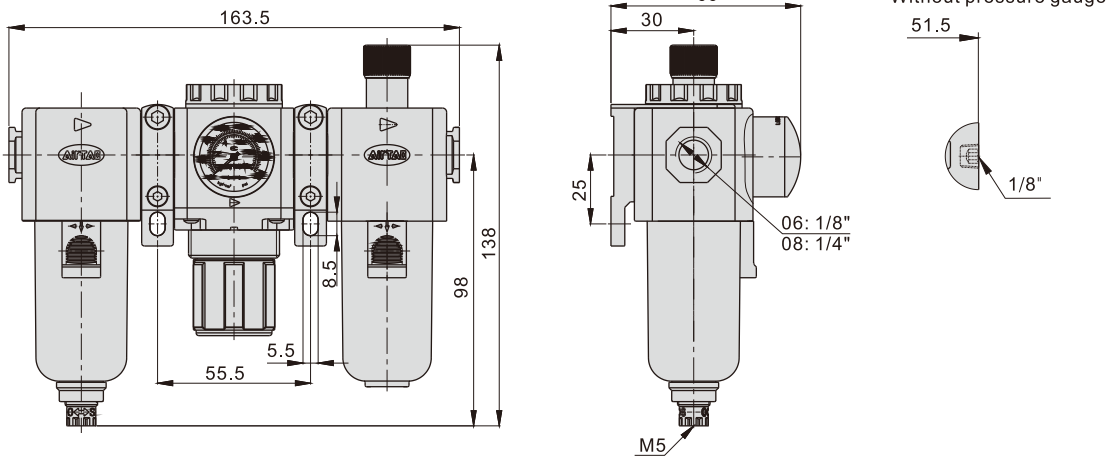
①Model	②Port size	③Accessories	④Thread type
GTL200: GT200 Series Lubricator (Short PC bowl)	06: 1/8" 08: 1/4"	Blank : Bracket J : No bracket	Blank: PT G: G T: NPT

# Preparation unit—GT Series(Short PC bowl type)

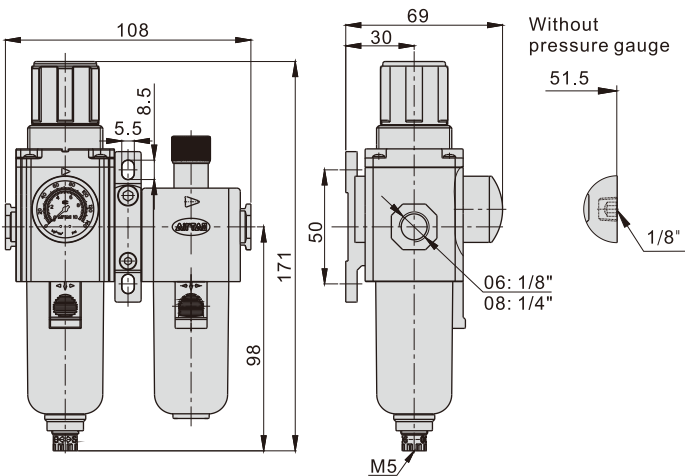
GTC, GTFC, GTFR, GTF, GTL Series

## Dimensions

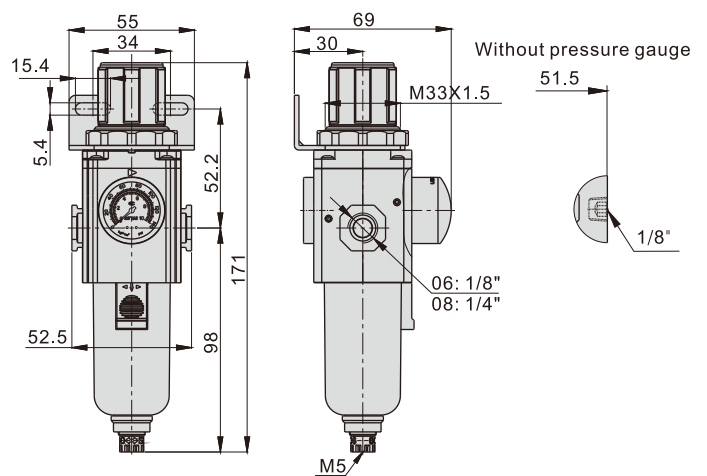
### GTC200



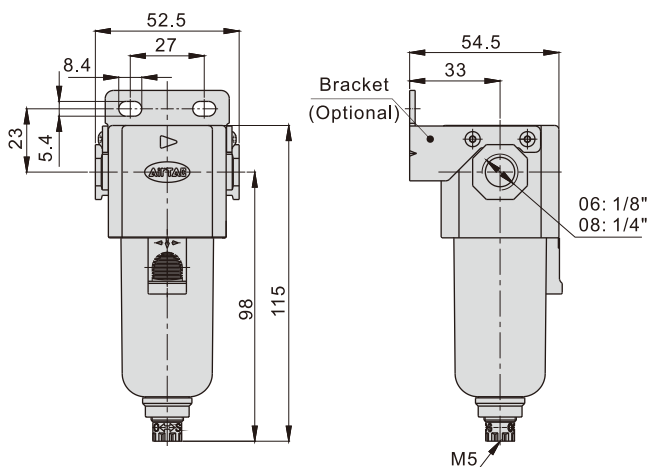
### GTFC200



### GTFR200



### GTF200



### GTL200

