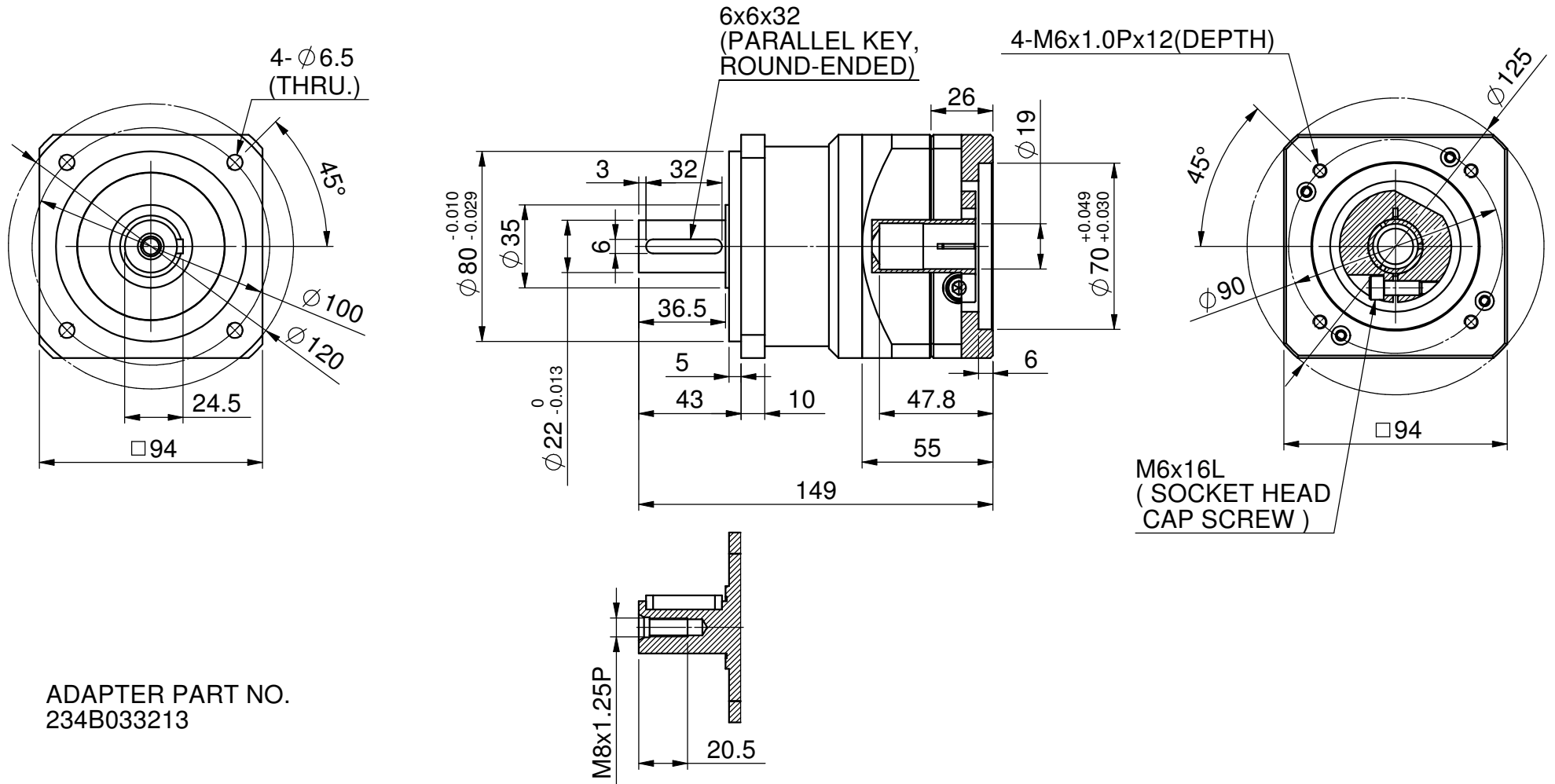


COMPATIBLE MOTOR DIMENSIONS

A	B	C	D	E	F	H	L
≤ 19	70	≤ 46.8	≤ 5	90	6.1~8	80~100	≥ C-5

※BUSHING WILL BE SUPPLIED WHEN THE MOTOR SHAFT DIAMETER IS SMALLER THAN 19



ADAPTER PART NO.
234B033213

SPECIFICATIONS ARE SUBJECT TO
CHANGE WITHOUT PRIOR NOTICE

Unit	mm	Model Name	PGE/PEE90 1 STAGE
Project		Drawing No.	3D3XS.070094.031



SESAME MOTOR CORP.