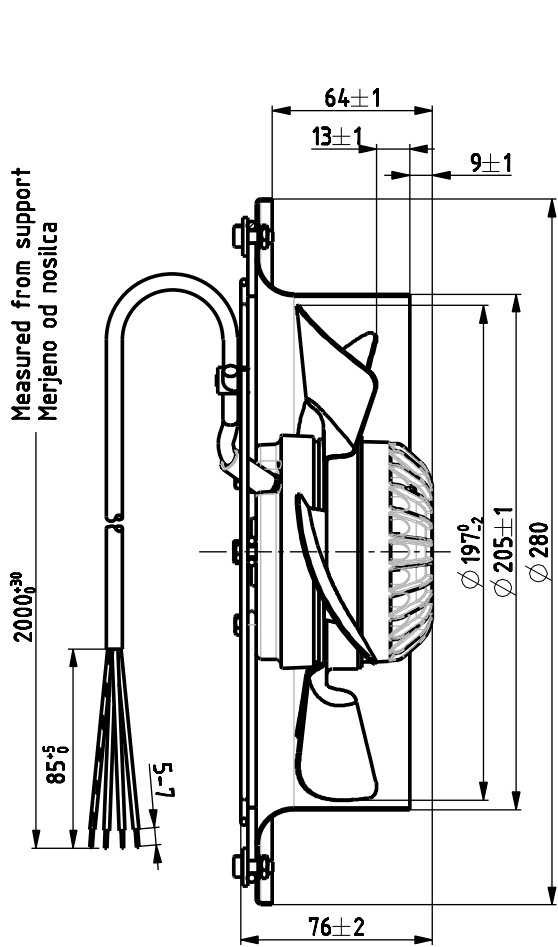
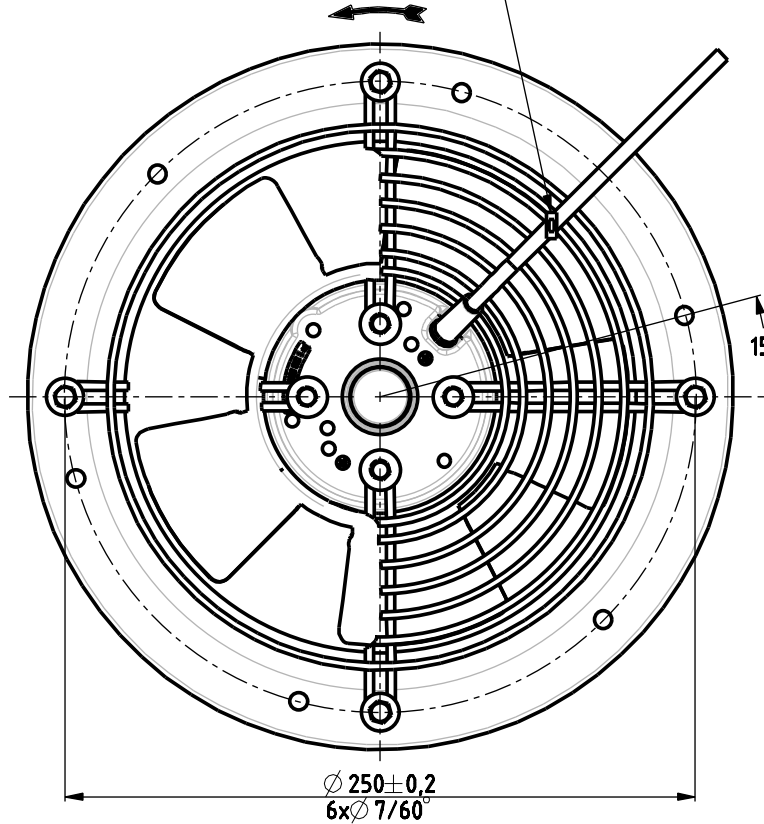
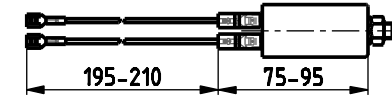


Vaak prenos tretjim osebam in uporaba v nedogovorjene namene ni dovoljen.
 This document must not be copied without our written permission and/or transferred to a third party for any unauthorized purpose.



BLOWING
 AIRFLOW DIRECTION
 SMER ZRAKA

Kabel pritrditi z vezico
 Cable fixed with cable tie



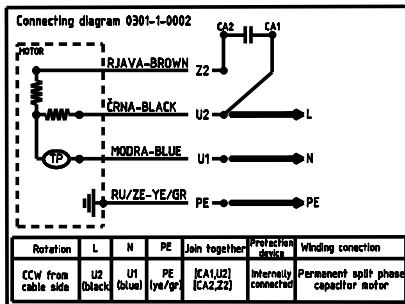
HTM

R09P-2025P-2M-1511

1~230V	0,21/0,24A
50/60Hz	45/55W
2580/2850RPM	TH.PROT.
C=1,5µF/450V	INS.CL.F IP44
	DATE

0309-4-0378

CE



Navodilo za kontrolo ventilatorja 0301-1-4425
 Checking instructions 0301-1-4425
 V vsako škatlo priložiti priključno shemo 0301-1-0002
 In each box must be enclosed connection diagram 0301-1-0002

HTM		METALURANE HERE UNTOLERANCED DIM.		ISO 2768-m		MERLO/FORMAT 1:2 / A3		MATERIAL	
Hidria Rotomatika		POVRŠINSKA OBD. SURFACE TEXTURE		MATERIAL		NAZIV/ TITLE:		VENTILATOR R09P-2025P-2M-1511	
MATERIAL		MATERIAL		MATERIAL		MATERIAL		MATERIAL	
MATERIAL		MATERIAL		MATERIAL		MATERIAL		MATERIAL	
MATERIAL		MATERIAL		MATERIAL		MATERIAL		MATERIAL	
MATERIAL		MATERIAL		MATERIAL		MATERIAL		MATERIAL	
MATERIAL		MATERIAL		MATERIAL		MATERIAL		MATERIAL	
MATERIAL		MATERIAL		MATERIAL		MATERIAL		MATERIAL	
MATERIAL		MATERIAL		MATERIAL		MATERIAL		MATERIAL	
MATERIAL		MATERIAL		MATERIAL		MATERIAL		MATERIAL	
MATERIAL		MATERIAL		MATERIAL		MATERIAL		MATERIAL	
MATERIAL		MATERIAL		MATERIAL		MATERIAL		MATERIAL	
MATERIAL		MATERIAL		MATERIAL		MATERIAL		MATERIAL	
MATERIAL		MATERIAL		MATERIAL		MATERIAL		MATERIAL	
MATERIAL		MATERIAL		MATERIAL		MATERIAL		MATERIAL	
MATERIAL		MATERIAL		MATERIAL		MATERIAL		MATERIAL	
MATERIAL		MATERIAL		MATERIAL		MATERIAL		MATERIAL	
MATERIAL		MATERIAL		MATERIAL		MATERIAL		MATERIAL	
MATERIAL		MATERIAL		MATERIAL		MATERIAL		MATERIAL	
MATERIAL		MATERIAL		MATERIAL		MATERIAL		MATERIAL	
MATERIAL		MATERIAL		MATERIAL		MATERIAL		MATERIAL	
MATERIAL		MATERIAL		MATERIAL		MATERIAL		MATERIAL	
MATERIAL		MATERIAL		MATERIAL		MATERIAL		MATERIAL	
MATERIAL		MATERIAL		MATERIAL		MATERIAL		MATERIAL	
MATERIAL		MATERIAL		MATERIAL		MATERIAL		MATERIAL	
MATERIAL		MATERIAL		MATERIAL		MATERIAL		MATERIAL	
MATERIAL		MATERIAL		MATERIAL		MATERIAL		MATERIAL	
MATERIAL		MATERIAL		MATERIAL		MATERIAL		MATERIAL	
MATERIAL		MATERIAL		MATERIAL		MATERIAL		MATERIAL	
MATERIAL		MATERIAL		MATERIAL		MATERIAL		MATERIAL	
MATERIAL		MATERIAL		MATERIAL		MATERIAL		MATERIAL	
MATERIAL		MATERIAL		MATERIAL		MATERIAL		MATERIAL	
MATERIAL		MATERIAL		MATERIAL		MATERIAL		MATERIAL	
MATERIAL		MATERIAL		MATERIAL		MATERIAL		MATERIAL	
MATERIAL		MATERIAL		MATERIAL		MATERIAL		MATERIAL	
MATERIAL		MATERIAL		MATERIAL		MATERIAL		MATERIAL	
MATERIAL		MATERIAL		MATERIAL		MATERIAL		MATERIAL	
MATERIAL		MATERIAL		MATERIAL		MATERIAL		MATERIAL	
MATERIAL		MATERIAL		MATERIAL		MATERIAL		MATERIAL	
MATERIAL		MATERIAL		MATERIAL		MATERIAL		MATERIAL	
MATERIAL		MATERIAL		MATERIAL		MATERIAL		MATERIAL	
MATERIAL		MATERIAL		MATERIAL		MATERIAL		MATERIAL	
MATERIAL		MATERIAL		MATERIAL		MATERIAL		MATERIAL	
MATERIAL		MATERIAL		MATERIAL		MATERIAL		MATERIAL	
MATERIAL		MATERIAL		MATERIAL		MATERIAL		MATERIAL	
MATERIAL		MATERIAL		MATERIAL		MATERIAL		MATERIAL	
MATERIAL		MATERIAL		MATERIAL		MATERIAL		MATERIAL	
MATERIAL		MATERIAL		MATERIAL		MATERIAL		MATERIAL	
MATERIAL		MATERIAL		MATERIAL		MATERIAL		MATERIAL	
MATERIAL		MATERIAL		MATERIAL		MATERIAL		MATERIAL	
MATERIAL		MATERIAL		MATERIAL		MATERIAL		MATERIAL	
MATERIAL		MATERIAL		MATERIAL		MATERIAL		MATERIAL	
MATERIAL		MATERIAL		MATERIAL		MATERIAL		MATERIAL	
MATERIAL		MATERIAL		MATERIAL		MATERIAL		MATERIAL	
MATERIAL		MATERIAL		MATERIAL		MATERIAL		MATERIAL	
MATERIAL		MATERIAL		MATERIAL		MATERIAL		MATERIAL	
MATERIAL		MATERIAL		MATERIAL		MATERIAL		MATERIAL	
MATERIAL		MATERIAL		MATERIAL		MATERIAL		MATERIAL	
MATERIAL		MATERIAL		MATERIAL		MATERIAL		MATERIAL	
MATERIAL		MATERIAL		MATERIAL		MATERIAL		MATERIAL	
MATERIAL		MATERIAL		MATERIAL		MATERIAL		MATERIAL	
MATERIAL		MATERIAL		MATERIAL		MATERIAL		MATERIAL	
MATERIAL		MATERIAL		MATERIAL		MATERIAL		MATERIAL	
MATERIAL		MATERIAL		MATERIAL		MATERIAL		MATERIAL	
MATERIAL		MATERIAL		MATERIAL		MATERIAL		MATERIAL	
MATERIAL		MATERIAL		MATERIAL		MATERIAL		MATERIAL	
MATERIAL		MATERIAL		MATERIAL		MATERIAL		MATERIAL	
MATERIAL		MATERIAL		MATERIAL		MATERIAL		MATERIAL	
MATERIAL		MATERIAL		MATERIAL		MATERIAL		MATERIAL	
MATERIAL		MATERIAL		MATERIAL		MATERIAL		MATERIAL	
MATERIAL		MATERIAL		MATERIAL		MATERIAL		MATERIAL	
MATERIAL		MATERIAL		MATERIAL		MATERIAL		MATERIAL	
MATERIAL		MATERIAL		MATERIAL		MATERIAL		MATERIAL	
MATERIAL		MATERIAL		MATERIAL		MATERIAL		MATERIAL	
MATERIAL		MATERIAL		MATERIAL		MATERIAL		MATERIAL	
MATERIAL		MATERIAL		MATERIAL		MATERIAL		MATERIAL	
MATERIAL		MATERIAL		MATERIAL		MATERIAL		MATERIAL	
MATERIAL		MATERIAL		MATERIAL		MATERIAL		MATERIAL	
MATERIAL		MATERIAL		MATERIAL		MATERIAL		MATERIAL	
MATERIAL		MATERIAL		MATERIAL		MATERIAL		MATERIAL	
MATERIAL		MATERIAL		MATERIAL		MATERIAL		MATERIAL	
MATERIAL		MATERIAL		MATERIAL		MATERIAL		MATERIAL	
MATERIAL		MATERIAL		MATERIAL		MATERIAL		MATERIAL	
MATERIAL		MATERIAL		MATERIAL		MATERIAL		MATERIAL	
MATERIAL		MATERIAL		MATERIAL		MATERIAL		MATERIAL	
MATERIAL		MATERIAL		MATERIAL		MATERIAL		MATERIAL	
MATERIAL		MATERIAL		MATERIAL		MATERIAL		MATERIAL	
MATERIAL		MATERIAL		MATERIAL		MATERIAL		MATERIAL	
MATERIAL		MATERIAL		MATERIAL		MATERIAL		MATERIAL	
MATERIAL		MATERIAL		MATERIAL		MATERIAL		MATERIAL	
MATERIAL		MATERIAL		MATERIAL		MATERIAL		MATERIAL	
MATERIAL		MATERIAL		MATERIAL		MATERIAL		MATERIAL	
MATERIAL		MATERIAL		MATERIAL		MATERIAL		MATERIAL	
MATERIAL		MATERIAL		MATERIAL		MATERIAL		MATERIAL	
MATERIAL		MATERIAL		MATERIAL		MATERIAL		MATERIAL	
MATERIAL		MATERIAL		MATERIAL		MATERIAL		MATERIAL	
MATERIAL		MATERIAL		MATERIAL		MATERIAL		MATERIAL	
MATERIAL		MATERIAL		MATERIAL		MATERIAL		MATERIAL	
MATERIAL		MATERIAL		MATERIAL		MATERIAL		MATERIAL	
MATERIAL		MATERIAL		MATERIAL		MATERIAL		MATERIAL	
MATERIAL		MATERIAL		MATERIAL		MATERIAL		MATERIAL	
MATERIAL		MATERIAL		MATERIAL		MATERIAL		MATERIAL	
MATERIAL		MATERIAL		MATERIAL		MATERIAL		MATERIAL	
MATERIAL		MATERIAL		MATERIAL		MATERIAL		MATERIAL	
MATERIAL		MATERIAL		MATERIAL		MATERIAL		MATERIAL	
MATERIAL		MATERIAL		MATERIAL		MATERIAL		MATERIAL	
MATERIAL		MATERIAL		MATERIAL		MATERIAL		MATERIAL	
MATERIAL		MATERIAL		MATERIAL		MATERIAL		MATERIAL	
MATERIAL		MATERIAL		MATERIAL		MATERIAL		MATERIAL	
MATERIAL		MATERIAL		MATERIAL		MATERIAL		MATERIAL	
MATERIAL		MATERIAL		MATERIAL		MATERIAL		MATERIAL	
MATERIAL		MATERIAL		MATERIAL		MATERIAL		MATERIAL	
MATERIAL		MATERIAL		MATERIAL		MATERIAL		MATERIAL	
MATERIAL		MATERIAL		MATERIAL		MATERIAL		MATERIAL</	