



Cartridge Valves Technical Information

Flow Control Valves

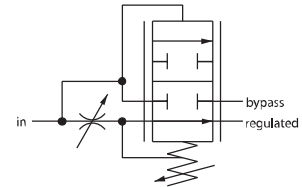
Catalog HIC

2F96-01

OPERATION

This valve is an adjustable, priority-type, pressure compensated flow control valve.

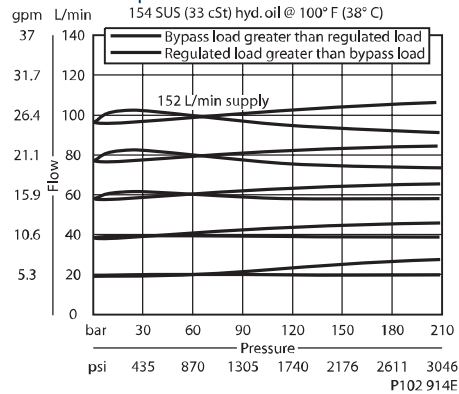
Schematic



P102 682

SPECIFICATIONS

Theoretical performance



P102 914E

Specifications

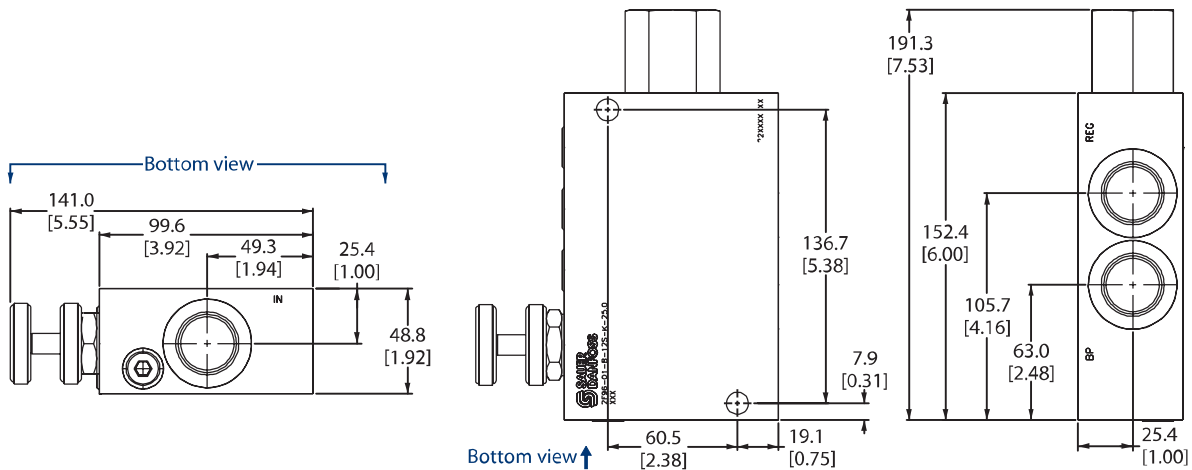
Rated pressure	210 bar [3000 psi]
Max regulated flow	95 l/min [25 US gal/min]
Max inlet flow	150 l/min [40 US gal/min]
Weight	1.77 kg [3.90 lb]
Cavity	none

Flow control valves
2F96

DIMENSIONS

mm [in]

Cross-sectional view



P102 680

ORDERING INFORMATION

2F96-01-B-12S-E-25

- Adjustment options**
E = External adjustment
K = Knob adjustment
- Body and ports**
12S = Aluminum, #12 SAE
- Seals**
B = Buna-N
V = Viton
- Adjustment range**
Code = 0-25 gpm
- Seal kits**
Consult Factory

P102 650E