

# Sure Cross® Performance Gateway with I/O Mapping



## Datasheet

The Sure Cross® wireless system is a radio frequency network with integrated I/O that can operate in most environments and eliminate the need for wiring runs. Wireless networks are formed around a Gateway, which acts as the wireless network master device, and one or more Nodes.



For additional information, updated documentation, and accessories, refer to Banner Engineering's website, [www.bannerengineering.com/surecross](http://www.bannerengineering.com/surecross).



**WARNING:** Not To Be Used for Personnel Protection

Never use this device as a sensing device for personnel protection. Doing so could lead to serious injury or death. This device does not include the self-checking redundant circuitry necessary to allow its use in personnel safety applications. A sensor failure or malfunction can cause either an energized or de-energized sensor output condition.



**CAUTION:** Never Operate 1 Watt Radios Without Antennas

To avoid damaging the radio circuitry, never power up Sure Cross® Performance or Sure Cross MultiHop (1 Watt) radios without an antenna.



**CAUTION:** Electrostatic Discharge (ESD)

ESD Sensitive Device. This product uses semiconductors that can be damaged by electrostatic discharge (ESD). When performing maintenance, care must be taken so the device is not damaged. Disconnect power from the device when accessing the internal DIP switches. Proper handling procedures include wearing anti-static wrist straps. Damage from inappropriate handling is not covered by warranty.

| Models        | Frequency        | Environmental Rating | I/O  |
|---------------|------------------|----------------------|--|
| DX80G9M6S-PM2 | 900 MHz ISM Band | IP67, NEMA 6         | Inputs: Four selectable discrete, two 0–20 mA  |
| DX80G2M6S-PM2 | 2.4 GHz ISM Band |                      | Outputs: Four sourcing discrete, two 0–20 mA analog<br>I/O is automatically mapped to the PM2 Node using the Gateway's menu system |



DX80...C (IP20; NEMA 1) models are also available. To order this model with an IP20 housing, add a C to the end of the model number: For example, DX80G9M6S-PM2C.

## Configuration Instructions

### Configure the DIP Switches

Before making any changes to the DIP switch positions, disconnect the power. DIP switch changes will not be recognized if power isn't cycled to the device.

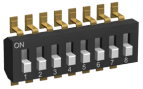
### Accessing the Internal DIP Switches

To access the internal DIP switches, follow these steps:

1. Unscrew the four screws that mount the cover to the bottom housing.
2. Remove the cover from the housing without damaging the ribbon cable or the pins the cable plugs into.
3. Gently unplug the ribbon cable from the board mounted into the bottom housing.



- Remove the black cover plate from the bottom of the device's cover. The DIP switches are located behind the rotary dials.



After making the necessary changes to the DIP switches, place the black cover plate back into position and gently push into place. Plug the ribbon cable in after verifying that the blocked hole lines up with the missing pin. Mount the cover back onto the housing.

### DIP Switch Settings

| Device Settings  | Switches |      |      |      |      |                |
|--|----------|------|------|------|------|----------------|
|  | 1        | 2    | 3    | 4    | 5    | 6 <sup>1</sup> |
| 900 MHz transmit power level: 1 Watt (30 dBm)                          | OFF*     |      |      |      |      |                |
| 900 MHz transmit power level: 250 mW (24 dBm), DX80 compatibility mode | ON       |      |      |      |      |                |
| Modbus or UCT configured (overrides DIP switches 3-8)                  |          | OFF* |      |      |      |                |
| DIP switch configured  |          | ON   |      |      |      |                |
| Inputs sourcing (PNP)  |          |      | OFF* |      |      |                |
| Inputs sinking (NPN)   |          |      | ON   |      |      |                |
| Link loss output: zero   |          |      |      | OFF* | OFF* |                |
| Link loss output: one  |          |      |      | OFF  | ON   |                |
| Link loss output: hold last state                                      |          |      |      | ON   | OFF  |                |
| Link loss output: user configuration                                   |          |      |      | ON   | ON   |                |
| 0 to 20 mA scale   |          |      |      |      |      | OFF*           |
| 4 to 20 mA scale   |          |      |      |      |      | ON             |

\* Default configuration

### Analog Input and Output Scale

Use the DIP switch to select which current scale to use for all the device's analog inputs and outputs: 0 to 20 mA or 4 to 20 mA. When using a 4-20 mA sensor with a 0-20 mA input, the sensor uses the 4-20 mA section of the total range. Using a 4-20 mA with a 0-20 mA input allows you to determine when you have an error condition with the sensor. A normal input reading between 4 and 20 mA indicates a functioning sensor whereas a value below 4 mA indicates an error condition, such as a broken wire or loose connection. This DIP switch is used only on the 0 to 20 mA models, not the 0 to 10V models.

### Discrete Input Type

Select the type of discrete input sensors to use with this device: sourcing (PNP) sensors or sinking (NPN) sensors.

### Link Loss Outputs

The SureCross DX80 wireless devices use a deterministic radio link time-out method to address RF link interruption or failure. When a radio link fails, all pertinent wired outputs are sent to defined states until the link is recovered, ensuring that disruptions in the communications link result in predictable system behavior.

Following a radio link time-out, all outputs linked to the Node in question are set to de-energize (discrete outputs to zero, analog outputs to 0 mA or 4 mA), energize (discrete outputs to one, analog outputs to 20 mA), or to hold the last stable state/value. Use the DIP switches to select the link loss output state.

### Modbus/User Configuration Tool (UCT) or DIP Switch Configured

In Modbus/UCT Configured mode, the device parameters are changed using the User Configuration Tool (UCT) or a Modbus command. All DIP switch positions are ignored. In DIP Switch Configured mode, use the DIP switches to configure the parameters listed in the table.

<sup>1</sup> Not used when configured for 0-10 V I/O.

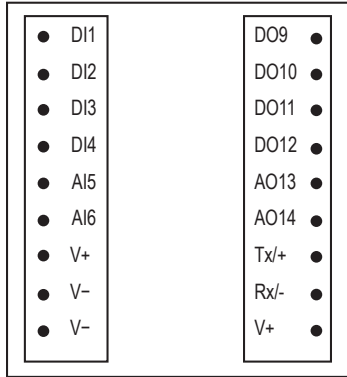
### Transmit Power Levels

The 900 MHz radios can be operated at 1 watt (30 dBm) or 250 mW (24 dBm). While the Performance radios operate in 1 Watt mode, they cannot communicate with the older 150 mW radios. To communicate with the older 150 mW radios, operate this radio in 250 mW mode. For 2.4 GHz models, this DIP switch is disabled. The transmit power for 2.4 GHz is fixed at about 65 mW EIRP (18 dBm), making the 2.4 GHz Performance models automatically compatible with older 2.4 GHz models.

### Wiring Your Sure Cross® Device

Use the following wiring diagrams to first wire the sensors and then apply power to the Sure Cross devices.

#### Terminal Blocks (PM2 and PM2C Models)



- AIx. Analog IN x.
- AOx. Analog OUT x.
- DIx. Discrete IN x.
- DOx. Discrete OUT x.
- RX/-. Serial communication line for the Gateway. No connection for Nodes
- TX/+. Serial communication line for the Gateway; no connection for Nodes
- V+. 10 to 30 V dc power connection
- V-. Ground/dc common connection

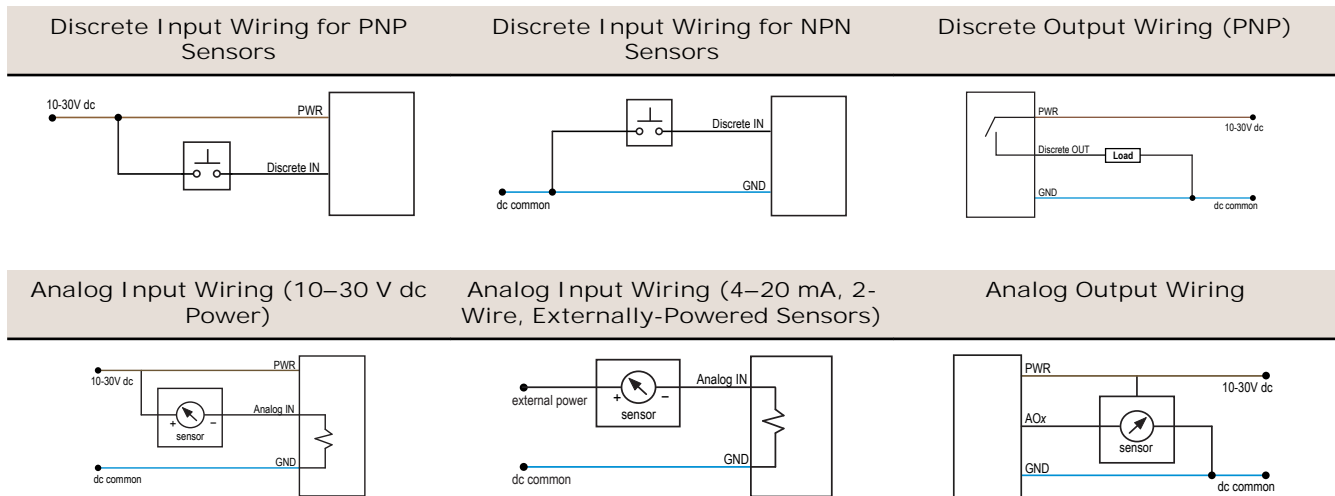
(-PM2 board shown)

Connecting dc power to the communication pins will cause permanent damage. For the DX8x...C models, PWR in the wiring diagram refers to V+ on the wiring board and GND in the wiring diagram refers to V- on the wiring board.

Do not exceed analog input ratings for analog inputs. Only connect sensor outputs to analog inputs.

To power the sensor using the switch power output (SPx), replace the PWR with SPx in these wiring diagrams.

Refer to the Class 1 Division 2/Zone 2 control drawings (p/n [143086](#)) for wiring specifications or limitations.



### Bind Radios to Form Networks

Binding Nodes to a Gateway ensures the Nodes only exchange data with the Gateway they are bound to.

Apply power to the Gateway and the Node you are binding.

1. To enter binding mode on the Gateway, triple-click button 2.  
The red LEDs flash alternately when the Gateway is in binding mode. Any Node entering binding mode will bind to this Gateway.

- To enter binding mode on the Node, triple-click button 2.

The Node enters binding mode and locates the Gateway in binding mode. The red LEDs flash alternately. The Node automatically exits binding mode. After the Node is bound, the LEDs are both solid red for a few seconds. The Node cycles its power, then enters Run mode.

- Use both of the Node's rotary dials to assign the Node Address defined in the Gateway's datasheet.

The left rotary dial represents the tens digit (0 through 4) and the right dial represents the ones digit (0 through 9) of the Node Address. For the pre-mapped kits, the Node's rotary dials must be set based on the mapping defined by the Gateway. For more information, refer to the mapping tables in the MAPIO Menu section of the Gateway's datasheet.

- Repeat steps 2 and 3 for all Nodes that need to communicate to this Gateway.
- Exit binding mode on the Gateway by single-clicking either button 1 or button 2.

### LED Behavior for the Gateways

Verify all devices are communicating properly. The radios and antennas must be a minimum distance apart to function properly. Recommended minimum distances are:

900 MHz 150 mW and 250 mW radios: 6 feet

900 MHz 1 Watt radios: 15 feet

2.4 GHz 65 mW radios: 1 foot

| LED 1        | LED 2          | Gateway Status              |
|--------------|----------------|-----------------------------|
| Solid green  |                | Power ON                    |
| Flashing red | Flashing red   | Device Error                |
|              | Flashing amber | Modbus Communication Active |
|              | Flashing red   | Modbus Communication Error  |

For Gateway and Ethernet Bridge systems, active Modbus communication refers to the communication between the Gateway and the Ethernet Bridge. For GatewayPro systems, the Modbus communication LEDs refer to the communication internal to the GatewayPro. For Gateway-only systems, the Modbus communication LEDs refer to the communication between the Gateway and its host system (if applicable).

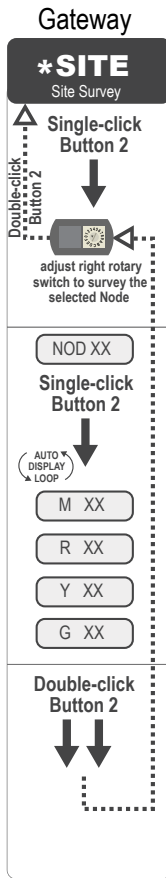
### Conducting a Site Survey (Gateway and Nodes)

A Site Survey, also known as a Radio Signal Strength Indication (RSSI), analyzes the radio communications link between the Gateway and any Node within the network by analyzing the radio signal strength of received data packets and reporting the number of missed packets that required a retry.

Perform a Site Survey before permanently installing the radio network to ensure reliable communication. Activate Site Survey mode from either the Gateway buttons or the Gateway Modbus holding register 15. Only the Gateway can initiate a Site Survey, and the Site Survey analyzes the radio communications link with one Node at a time.

## SITE (Site Survey) Menu

The SITE menu displays the results of a Site Survey conducted with this Gateway.



The SITE menu displays the device number of the Node the Site Survey was conducted with as well as the missed, green, yellow, and red received packet count.

The SITE menu is only available on the Gateways.

To access the SITE menu, single-click button 1 to scroll across the menu levels until reaching the Site Survey (SITE) menu.

See [Conducting a Site Survey Using the Menu System](#) on page 5.

See [Interpreting the Site Survey Results](#) on page 6.





## Conducting a Site Survey Using the Menu System

Initiate a Site Survey using the Gateway's buttons and menu system.

1. Remove the rotary dial access cover.
2. To check the status of Node 1, change the Gateway's right rotary dial to 1.  
The Gateway is now enabled to read the status of Node 1; the display scrolls through the Node's I/O status.
3. Single-click button 1 to scroll across the menu levels until reaching the Site Survey (SITE) menu.
4. Single-click button 2 to enter the Site Survey menu.
5. Single-click button 2 to begin conducting a Site Survey with the Node selected in step 2.  
The Gateway analyzes the quality of the signal from the selected Node by counting the number of data packets it receives from the Node.
6. Examine reception readings (M, R, Y, G) of the Gateway at various locations.  
Site survey results display as a percentage. M represents the percent of missed packets while R, Y, and G represent the percent of received packets at a given signal strength.  
M = Percent of missed packets; R = RED marginal signal; Y = YELLOW good signal; G = GREEN excellent signal.  
Record the results if you need troubleshooting assistance from the factory.
7. Change the Gateway's right rotary dial to conduct a Site Survey with another Node and repeat steps 2 through 6.
8. To end the Site Survey, double-click button 2.
9. Change the Gateway's right rotary dial back to 0.  
The LCD displays the device readings for the Gateway.
10. Double-click button 2 to move back to the top level menu.
11. Single-click button 1 to return to RUN mode.
12. Install the rotary dial access cover, referring to the Installation section of the manual to create an IP67 seal.

## Interpreting the Site Survey Results

Site Survey results are listed as a percentage of data packets received and indicate the signal strength of the received signal.

|   | Result | Description   |
|---|--------|---|
|  | Green  | Packets received at a strong signal strength. A strong signal strength is greater than -90 dBm at the receiver. |
|  | Yellow | Packets received at a good signal strength. A good signal is between -90 and -100 dBm at the receiver.          |
|  | Red    | Packets received at a weak signal strength. A weak signal is less than -100 dBm at the receiver.                |
|  | Missed | Packets not received on the first transmission and requiring a retry.   |

Judging if the reliability of a network's signal meets the needs of the application is not just a matter of green, yellow, and red packets received. In normal operating mode, when data packets are not received, the transmitter re-sends the packet until all data is received.

For slow monitoring applications such as a tank farm, where data is required in terms of seconds or minutes, receiving most of the data in the 'red' range, indicating a weak but reliable signal, transmits enough data for accurate monitoring. Nodes positioned near the outside range of the radio signal may have 90% of the data packets received in the red zone, again indicating a weak, but reliable signal.

We recommend keeping the missed packets average to less than 40%. When the network misses more than 40% of the data packets, the signal is usually too unreliable or obstacles may be interfering with the signal. When Site Survey reports the missed packets are 40% or higher, improve the radio system performance by:

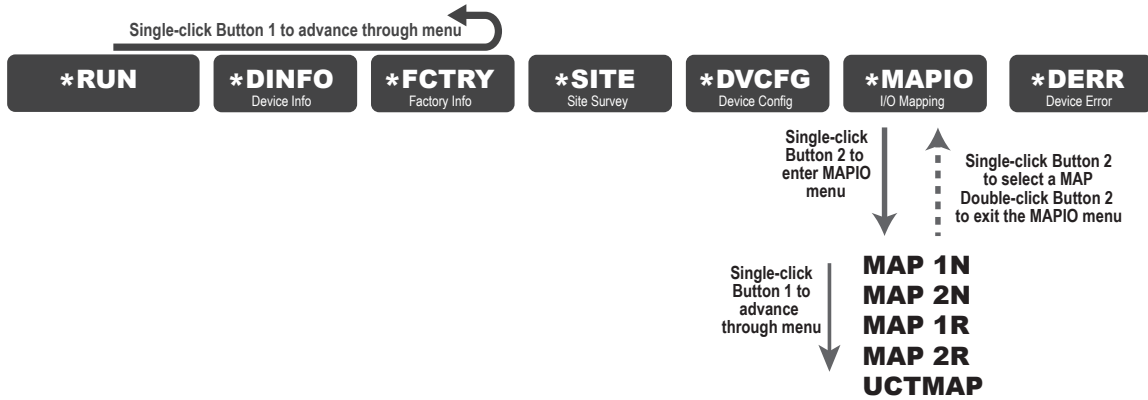
- Mounting the network's antennas higher,
- Using higher gain antennas, or
- Adding data radios to the network.

Mounting the devices' antennas higher allows the radio signal to clear obstacles in the area and improves the line of sight between SureCross® devices. Higher gain antennas focus the energy of the radio signal in a specific direction and extend the signal's range. Using data radios is another option to consider when trying to extend the range of a radio network. For more information on data radios, please refer to Banner's white paper on range extension on [www.bannerengineering.com/surecross](http://www.bannerengineering.com/surecross).

## MAPIO Menu for the PM2 Gateway

The PM2 Gateway and Node use the LCD menu system to automatically map I/O. The Node's rotary dials need to be set properly for the I/O mapping to work.

The first map in the list is the factory default setting. In addition to the MAPIO menu, an entry was added to the bottom of the DVCFG menu to display the currently selected I/O map.



### MAP 1N

MAP 1N maps the I/O between the PM2 Gateway and one PM2 Node. Verify Node 1's rotary dials are set to 01.

| Gateway         | Maps to | Node 1          |
|-----------------|---------|-----------------|
| Discrete IN 1   | →       | Discrete OUT 9  |
| Discrete IN 2   | →       | Discrete OUT 10 |
| Discrete IN 3   | →       | Discrete OUT 11 |
| Discrete IN 4   | →       | Discrete OUT 12 |
| Analog IN 5     | →       | Analog OUT 13   |
| Analog IN 6     | →       | Analog OUT 14   |
| Discrete OUT 9  | ←       | Discrete IN 1   |
| Discrete OUT 10 | ←       | Discrete IN 2   |
| Discrete OUT 11 | ←       | Discrete IN 3   |
| Discrete OUT 12 | ←       | Discrete IN 4   |
| Analog OUT 13   | ←       | Analog IN 5     |
| Analog OUT 14   | ←       | Analog IN 6     |

### MAP 2N

MAP 2N maps the I/O between the PM2 Gateway and two PM2 Nodes. Verify Node 1's rotary dials are set to 01 and Node 2's rotary dials are set to 02.

| Gateway         | Maps to | Node 1          | Node 2          |
|-----------------|---------|-----------------|-----------------|
| Discrete IN 1   | →       | Discrete OUT 9  |                 |
| Discrete IN 2   | →       | Discrete OUT 10 |                 |
| Discrete IN 3   | →       |                 | Discrete OUT 9  |
| Discrete IN 4   | →       |                 | Discrete OUT 10 |
| Analog IN 5     | →       | Analog OUT 13   |                 |
| Analog IN 6     | →       |                 | Analog OUT 13   |
| Discrete OUT 9  | ←       | Discrete IN 1   |                 |
| Discrete OUT 10 | ←       | Discrete IN 2   |                 |
| Discrete OUT 11 | ←       |                 | Discrete IN 1   |
| Discrete OUT 12 | ←       |                 | Discrete IN 2   |
| Analog OUT 13   | ←       | Analog IN 5     |                 |
| Analog OUT 14   | ←       |                 | Analog IN 5     |

## MAP 1R

MAP 1R maps the I/O from Node 1 to Node 7, using the Gateway as a repeater. Verify each Node's rotary dials are set to the appropriate ID. Set Node 1 to 01, set Node 2 to 02, through Node 7 set to 07.

| Node 1          | Maps to | Node 7          |
|-----------------|---------|-----------------|
| Discrete IN 1   | →       | Discrete OUT 9  |
| Discrete IN 2   | →       | Discrete OUT 10 |
| Discrete IN 3   | →       | Discrete OUT 11 |
| Discrete IN 4   | →       | Discrete OUT 12 |
| Analog IN 5     | →       | Analog OUT 13   |
| Analog IN 6     | →       | Analog OUT 14   |
| Discrete OUT 9  | ←       | Discrete IN 1   |
| Discrete OUT 10 | ←       | Discrete IN 2   |
| Discrete OUT 11 | ←       | Discrete IN 3   |
| Discrete OUT 12 | ←       | Discrete IN 4   |
| Analog OUT 13   | ←       | Analog IN 5     |
| Analog OUT 14   | ←       | Analog IN 6     |

## MAP 2R

Map 2R maps the I/O from Node 1 and Node 2 to Node 7, using the Gateway as a repeater. Verify Node 1's rotary dials are set to 01, Node 2's rotary dials are set to 02, and Node 7's rotary dials are set to 07.

| Node 7          | Maps to | Node 1          | Node 2          |
|-----------------|---------|-----------------|-----------------|
| Discrete IN 1   | →       | Discrete OUT 9  |                 |
| Discrete IN 2   | →       | Discrete OUT 10 |                 |
| Discrete IN 3   | →       |                 | Discrete OUT 9  |
| Discrete IN 4   | →       |                 | Discrete OUT 10 |
| Analog IN 5     | →       | Analog OUT 13   |                 |
| Analog IN 6     | →       |                 | Analog OUT 13   |
| Discrete OUT 9  | ←       | Discrete IN 1   |                 |
| Discrete OUT 10 | ←       | Discrete IN 2   |                 |
| Discrete OUT 11 | ←       |                 | Discrete IN 1   |
| Discrete OUT 12 | ←       |                 | Discrete IN 2   |
| Analog OUT 13   | ←       | Analog IN 5     |                 |
| Analog OUT 14   | ←       |                 | Analog IN 5     |

## UCTMAP

Select UCTMAP to use the User Configuration Tool (UCT) software to map I/O between the Gateway and its Nodes.

## Installing Your Sure Cross® Radios

Please refer to one of the following instruction manuals for details about successfully installing your wireless network components.

- DX80 and Performance Wireless I/O Network Instruction Manual: [132607](#)

## Modbus Registers

| I/O | Modbus Holding Register |                  | I/O Type      | I/O Range  |            | Holding Register Representation |             |
|-----|-------------------------|------------------|---------------|------------|------------|---------------------------------|-------------|
|     | Gateway                 | Any Node         |               | Min. Value | Max. Value | Min. (Dec.)                     | Max. (Dec.) |
| 1   | 1                       | 1 + (Node# × 16) | Discrete IN 1 | 0          | 1          | 0                               | 1           |



| I/O | Modbus Holding Register |                   | I/O Type           | I/O Range  |            | Holding Register Representation |             |
|-----|-------------------------|-------------------|--------------------|------------|------------|---------------------------------|-------------|
|     | Gateway                 | Any Node          |                    | Min. Value | Max. Value | Min. (Dec.)                     | Max. (Dec.) |
| 2   | 2                       | 2 + (Node# × 16)  | Discrete IN 2      | 0          | 1          | 0                               | 1           |
| 3   | 3                       | 3 + (Node# × 16)  | Discrete IN 3      | 0          | 1          | 0                               | 1           |
| 4   | 4                       | 4 + (Node# × 16)  | Discrete IN 4      | 0          | 1          | 0                               | 1           |
| 5   | 5                       | 5 + (Node# × 16)  | Analog IN 5 (mA)   | 0.0        | 20.0       | 0                               | 65535       |
| 6   | 6                       | 6 + (Node# × 16)  | Analog IN 6 (mA)   | 0.0        | 20.0       | 0                               | 65535       |
| 7   | 7                       | 7 + (Node# × 16)  | Reserved           |            |            |                                 |             |
| 8   | 8                       | 8 + (Node# × 16)  | Device Message     |            |            |                                 |             |
| 9   | 9                       | 9 + (Node# × 16)  | Discrete OUT 9     | 0          | 1          | 0                               | 1           |
| 10  | 10                      | 10 + (Node# × 16) | Discrete OUT 10    | 0          | 1          | 0                               | 1           |
| 11  | 11                      | 11 + (Node# × 16) | Discrete OUT 11    | 0          | 1          | 0                               | 1           |
| 12  | 12                      | 12 + (Node# × 16) | Discrete OUT 12    | 0          | 1          | 0                               | 1           |
| 13  | 13                      | 13 + (Node# × 16) | Analog OUT 13 (mA) | 0.0        | 20.0       | 0                               | 65535       |
| 14  | 14                      | 14 + (Node# × 16) | Analog OUT 14 (mA) | 0.0        | 20.0       | 0                               | 65535       |
| 15  | 15                      | 15 + (Node# × 16) | Control Message    |            |            |                                 |             |
| 16  | 16                      | 16 + (Node# × 16) | Reserved           |            |            |                                 |             |

## Specifications

### Radio Range<sup>2</sup>

900 MHz, 1 Watt: Up to 9.6 km (6 miles)  
2.4 GHz, 65 mW: Up to 3.2 km (2 miles)

### Minimum Separation Distance

900 MHz, 1 Watt: 4.57 m (15 ft)  
2.4 GHz, 65 mW: 0.3 m (1 ft)

### Radio Transmit Power

900 MHz, 1 Watt: 30 dBm (1 W) conducted (up to 36 dBm EIRP)  
2.4 GHz, 65 mW: 18 dBm (65 mW) conducted, less than or equal to 20 dBm (100 mW) EIRP

### 900 MHz Compliance (1 Watt)

FCC ID UE3RM1809: This device complies with FCC Part 15, Subpart C, 15.247  
IC: 7044A-RM1809

### 2.4 GHz Compliance

FCC ID UE300DX80-2400 - This device complies with FCC Part 15, Subpart C, 15.247  
ETSI EN 300 328 V1.8.1 (2012-06)  
IC: 7044A-DX8024

### Spread Spectrum Technology

FHSS (Frequency Hopping Spread Spectrum)

### Link Timeout

Gateway: Configurable via User Configuration Tool (UCT) software  
Node: Defined by Gateway

### Supply Voltage

10 to 30 V dc (Outside the USA: 12 to 24 V dc, ±10%).<sup>3</sup>

### Power Consumption

900 MHz Consumption: Maximum current draw is < 100 mA and typical current draw is < 50 mA at 24 V dc. (2.4 GHz consumption is less.)

### Wiring Access

Two 1/2-inch NPT ports

### Housing

Polycarbonate housing and rotary dial cover; polyester labels; EDPM rubber cover gasket; nitrile rubber, non-sulphur cured button covers  
Weight: 0.26 kg (0.57 lbs)  
Mounting: #10 or M5 (SS M5 hardware included)  
Max. Tightening Torque: 0.56 N-m (5 lbf-in)

### Antenna Connection

Ext. Reverse Polarity SMA, 50 Ohms  
Max Tightening Torque: 0.45 N-m (4 lbf-in)

### Interface

Indicators: Two bi-color LEDs  
Buttons: Two  
Display: Six character LCD

### Communication Hardware (RS-485)

Interface: 2-wire half-duplex RS-485  
Baud rates: 9.6k, 19.2k (default), or 38.4k  
Data format: 8 data bits, no parity, 1 stop bit

### Communication Protocol

Modbus RTU

<sup>2</sup> Radio range is with the 2 dB antenna that ships with the product. High-gain antennas are available, but the range depends on the environment and line of sight. Always verify your wireless network's range by performing a Site Survey.

<sup>3</sup> For European applications, power this device from a Limited Power Source as defined in EN 60950-1.

**Discrete Inputs**

Four, DIP switch selectable between sourcing/PNP and sinking/NPN  
 Rating: 3 mA max current at 30 V dc  
 Sample Rate: 62.5 milliseconds  
 Report Rate: On change of state

**Discrete Input ON Condition**

PNP: Greater than 8 V  
 NPN: Less than 0.7 V

**Discrete Input OFF Condition**

PNP: Less than 5 V  
 NPN: Greater than 2 V or open

**Discrete Output Rating (PNP)**

100 mA max current at 30 V dc  
 ON-State Saturation: Less than 3 V at 100 mA  
 OFF-state Leakage: Less than 10 µA

**Operating Conditions<sup>4</sup>**

-40 °C to +85 °C (-40 °F to +185 °F) (Electronics); -20 °C to +80 °C  
 (-4 °F to +176 °F) (LCD)  
 95% maximum relative humidity (non-condensing)  
 Radiated Immunity: 10 V/m (EN 61000-4-3)

**Environmental Ratings<sup>5</sup>**

PM2 Model: IEC IP67; NEMA 6  
 "C" Housing Models/External wiring terminals: IEC IP20; NEMA 1

**Shock and Vibration**

IEC 68-2-6 and IEC 68-2-27  
 Shock: 30g, 11 millisecond half sine wave, 18 shocks  
 Vibration: 0.5 mm p-p, 10 to 60 Hz

**Discrete Outputs**

Four sourcing/PNP  
 Update Rate: 125 milliseconds  
 ON Condition: Supply minus 2 V  
 OFF Condition: Less than 2 V  
 Output State Following Timeout: OFF

**Analog Inputs**

Two, 0 to 20mA  
 Rating: 24 mA  
 Impedance: Approximately 220 Ohms  
 Sample Rate: 62.5 milliseconds  
 Report Rate: 1 second or On Change of State (1% change in value)  
 Accuracy: 0.2% of full scale +0.01% per °C  
 Resolution: 12-bit

**Analog Outputs**

Two, 0 to 20 mA  
 Update Rate: 125 milliseconds  
 Accuracy: 0.1% of full scale +0.01% per °C  
 Resolution: 12-bit

**Certification**

Certifications for DX8x...C (External Wiring Terminal) and DX8x...E Models



CSA: Class I Division 2 Groups ABCD, Class I Zone 2 AEx/Ex nA II T4  
 — Certificate: 1921239



ATEX: II 3 G Ex nA IIC T4 Gc (Group IIC Zone 2) — Certificate LCIE  
 10 ATEX 1012 X

Refer to the Class I Division 2/Zone 2 control drawings (p/n [143086](#)) for wiring specifications or limitations. All battery-powered devices must only use the lithium battery manufactured by Xeno, model XL-205F.

## Included with Model

The following items ship with the PM2 and PM8 radios.

- One 1/2-inch NPT plug (not included with IP20 "C" models)
- Two 1/2-inch nylon gland fittings (not included with IP20 "C" models)
- BWA-902-C (900 MHz) or BWA-202-C (2.4 GHz): Antenna, 2 dBd Omni, Rubber Swivel RP-SMA Male. (Not included with Internal antenna models)
- BWA-HW-011: IP20 Screw Terminal Headers (2 pack) (included only with the IP20 "C" models)

## Warnings

Install and properly ground a qualified surge suppressor when installing a remote antenna system. Remote antenna configurations installed without surge suppressors invalidate the manufacturer's warranty. Keep the ground wire as short as possible and make all ground connections to a single-point ground system to ensure no ground loops are created. No surge suppressor can absorb all lightning strikes; do not touch the Sure Cross® device or any equipment connected to the Sure Cross device during a thunderstorm.

**Exporting Sure Cross® Radios.** It is our intent to fully comply with all national and regional regulations regarding radio frequency emissions. Customers who want to re-export this product to a country other than that to which it was sold must ensure the device is approved in the destination country. A list of approved countries appears in the *Radio Certifications* section of the product manual. The Sure Cross wireless products were certified for use in these countries using the antenna that ships with the product. When using other antennas, verify you are not exceeding the transmit power levels allowed by local governing agencies. Consult with Banner Engineering Corp. if the destination country is not on this list.

Any misuse, abuse, or improper application or installation of this product or use of the product for personal protection applications when the product is identified as not intended for such purposes will void the product warranty. Any modifications to this product without prior express approval by Banner Engineering Corp will void the product warranties. All specifications published in this document are subject to change: Banner reserves the right to modify product specifications or update documentation at any time. For the most recent version of any documentation, refer to: [www.bannerengineering.com](http://www.bannerengineering.com). © Banner Engineering Corp. All rights reserved.

<sup>4</sup> Operating the devices at the maximum operating conditions for extended periods can shorten the life of the device.

<sup>5</sup> Refer to the *Sure Cross® Wireless I/O Networks Instruction Manual* (p/n 132607) for installation and waterproofing instructions.

## Banner Engineering Corp. Limited Warranty

Banner Engineering Corp. warrants its products to be free from defects in material and workmanship for one year following the date of shipment. Banner Engineering Corp. will repair or replace, free of charge, any product of its manufacture which, at the time it is returned to the factory, is found to have been defective during the warranty period. This warranty does not cover damage or liability for misuse, abuse, or the improper application or installation of the Banner product.

THIS LIMITED WARRANTY IS EXCLUSIVE AND IN LIEU OF ALL OTHER WARRANTIES WHETHER EXPRESS OR IMPLIED (INCLUDING, WITHOUT LIMITATION, ANY WARRANTY OF MERCHANTABILITY OR FITNESS FOR A PARTICULAR PURPOSE), AND WHETHER ARISING UNDER COURSE OF PERFORMANCE, COURSE OF DEALING OR TRADE USAGE.

This Warranty is exclusive and limited to repair or, at the discretion of Banner Engineering Corp., replacement. IN NO EVENT SHALL BANNER ENGINEERING CORP. BE LIABLE TO BUYER OR ANY OTHER PERSON OR ENTITY FOR ANY EXTRA COSTS, EXPENSES, LOSSES, LOSS OF PROFITS, OR ANY INCIDENTAL, CONSEQUENTIAL OR SPECIAL DAMAGES RESULTING FROM ANY PRODUCT DEFECT OR FROM THE USE OR INABILITY TO USE THE PRODUCT, WHETHER ARISING IN CONTRACT OR WARRANTY, STATUTE, TORT, STRICT LIABILITY, NEGLIGENCE, OR OTHERWISE.

Banner Engineering Corp. reserves the right to change, modify or improve the design of the product without assuming any obligations or liabilities relating to any product previously manufactured by Banner Engineering Corp.



more sensors, more solutions

[www.bannerengineering.com](http://www.bannerengineering.com) - Tel: +1-763-544-3164