



# ENAPART



93 S Railroad Avenue Unit C  
Bergenfield NJ 07621 USA  
[www.enapart.com](http://www.enapart.com)  
[sales@enapart.com](mailto:sales@enapart.com)



Via del Canneto 35,  
Borgosatollo, Brescia - Italia  
[www.enapart.it](http://www.enapart.it)  
[vendite@enapart.it](mailto:vendite@enapart.it)



Barbaros Mah. Ihlamur Bul. Aĝaoĝlu  
My Newwork No:3/15 Ataşehir / İstanbul  
[www.enapart.net](http://www.enapart.net)  
[satis@enapart.net](mailto:satis@enapart.net)



PRIVADA 10 B SUR #3908 COL.  
ANZUREZ, C.P. 72530, PUEBLA, PUE  
[www.enapart.com.mx](http://www.enapart.com.mx)  
[sales@enapart.com.mx](mailto:sales@enapart.com.mx)



Friedrich-Ebert-Anlage 36, 60325  
Frankfurt am Main, Germany  
[www.enapart.de](http://www.enapart.de)  
[anfrage@enapart.de](mailto:anfrage@enapart.de)



4 boulevard Carnot, 95400  
villiers-le-bel, Paris, France  
[www.enapart.fr](http://www.enapart.fr)  
[sales@enapart.fr](mailto:sales@enapart.fr)



65049, ОДЕСА, ВУЛИЦЯ ІВАНА  
ФРАНКА, БУДИНОК 55, ПОВЕРХ 3  
[www.enapart.com.ua](http://www.enapart.com.ua)  
[sales@enapart.com.ua](mailto:sales@enapart.com.ua)



MUNICIPIUL BUCUREȘTI, SECTOR 3,  
B-DUL BASARABIA, NR.250, CORP P+5  
[www.enapart.ro](http://www.enapart.ro)  
[sales@enapart.ro](mailto:sales@enapart.ro)



〒584-0023 大阪府富田林市若松町  
東2丁目2番16号  
[www.enapart.co.jp](http://www.enapart.co.jp)  
[sales@enapart.co.jp](mailto:sales@enapart.co.jp)



PLAZA NUESTRA SEÑORA DE LAS  
NIEVES 12 ,LOCAL ,50012,ZARAGOZA  
[www.enapart.es](http://www.enapart.es)  
[ventas@enapart.es](mailto:ventas@enapart.es)



Складова база „Онгъл“, Склад А2, п.к.  
4006, гр. Пловдив, България  
[www.enapart.bg](http://www.enapart.bg)  
[sales@enapart.bg](mailto:sales@enapart.bg)



3 Austin Mews, High Street, Hemel  
Hempstead, HP1 3AF , United Kingdom  
[www.enapart.co.uk](http://www.enapart.co.uk)  
[sales@enapart.co.uk](mailto:sales@enapart.co.uk)

# Art. "Y" - SHUTTER ANGLE VALVE FOR LOW PRESSURE

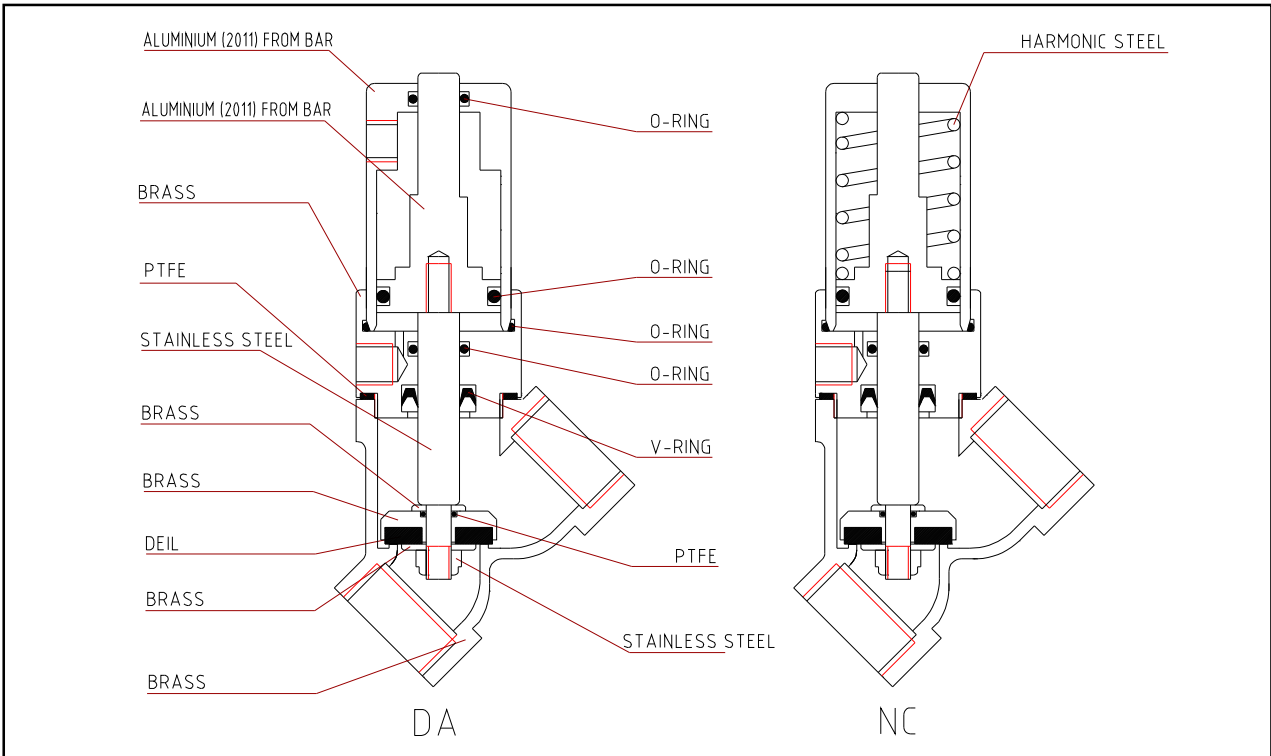
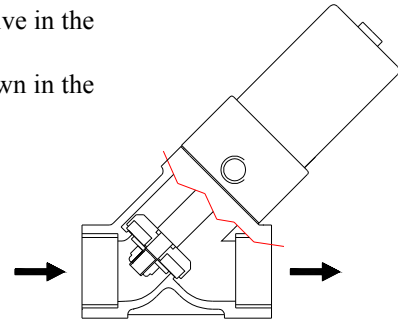


**DESCRIPTION**  
 Valve with flat shutter closing.  
 SEAL: NBR - FPM - EPDM.  
 Perfect airtight even with high operating frequencies.  
 Actuator with reciprocating piston movement.  
 Connections with inner GAS ISO 228 thread female-female.  
 On request with NPT connections.  
 Control air 1/8" GAS connections.  
**ALLOWABLE TEMPERATURES**  
 Operating temperature:  
 Seal in NBR: from -30°C to +100°C  
 Seal in FPM: from -15°C to +100°C  
 Seal in EPDM: from -40°C to +100°C  
**ACTUATOR PILOT PRESSURE:** Max 8 bar.  
**VERSIONS AND SIZES**  
 DA: 1/2" - 3/4" - 1" - 1 1/4" - 1 1/2" - 2"  
 SANC: 1/2" - 3/4" - 1" - 1 1/4" - 1 1/2" - 2"  
**ANODIZING TREATMENT ON OUTSIDE DETAILS**  
**MADE IN ALUMINIUM**

It is **not subject** to the "Water Hammer" if the fluid pass through the valve in the direction of the arrow printed on the body (under the actuator).  
 With these conditions the tightness is guaranteed up to the pressures shown in the Differential Pressure Chart.

**MINIMUM PRESSURE REQUIRED TO OPEN NC VERSION**

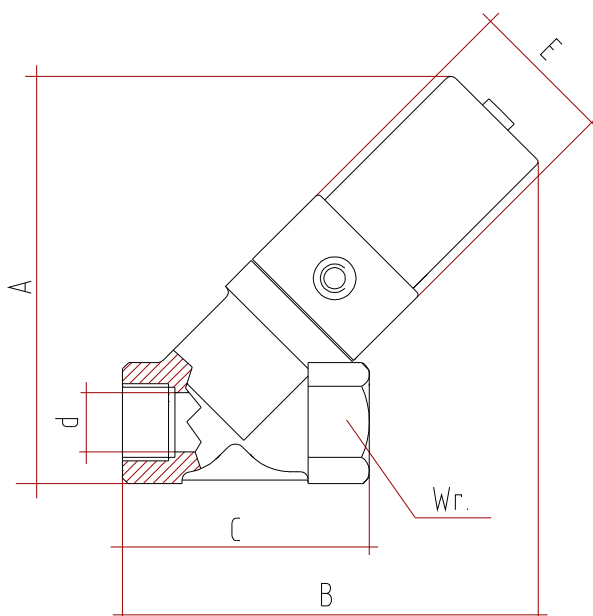
|     |      |      |     |        |        |     |
|-----|------|------|-----|--------|--------|-----|
| G   | 1/2" | 3/4" | 1"  | 1 1/4" | 1 1/2" | 2"  |
| Bar | 6    | 6    | 5.5 | 5.5    | 5.5    | 5.5 |



Art. "Y"

**DIFFERENTIAL PRESSURE CHART**

| NC    |               | DA    |                 |               |
|-------|---------------|-------|-----------------|---------------|
| G     | DeltaP<br>bar | G     | PILOT<br>PRESS. | DeltaP<br>bar |
| 1/2"  | 4             | 1/2"  | 4               | 9.5           |
| 3/4"  | 3             | 1/2"  | 5               | 12            |
| 1"    | 3             | 3/4"  | 4               | 4.5           |
| 1"1/4 | 3             | 3/4"  | 5               | 6             |
| 1"1/2 | 3             | 1"    | 4               | 4.5           |
| 2"    | 1.5           | 1"    | 5               | 5.5           |
|       |               | 1"1/4 | 4               | 4             |
|       |               | 1"1/4 | 5               | 5             |
|       |               | 1"1/2 | 4               | 4             |
|       |               | 1"1/2 | 5               | 5             |
|       |               | 2"    | 4               | 2             |
|       |               | 2"    | 5               | 2.5           |



**OVERALL DIMENSIONS**

| DN  | G     | A   | B   | C   | d   | E   | Wrench | Kv                | Weight |
|-----|-------|-----|-----|-----|-----|-----|--------|-------------------|--------|
| mm. |       | mm. | mm. | mm. | mm. | mm. | mm.    | m <sup>3</sup> /h | gr.    |
| 15  | 1/2"  | 93  | 107 | 59  | 16  | 40  | 27     | 4.5               | 500    |
| 20  | 3/4"  | 99  | 118 | 70  | 22  | 40  | 33     | 11                | 650    |
| 25  | 1"    | 102 | 121 | 74  | 27  | 40  | 38     | 13                | 680    |
| 32  | 1"1/4 | 127 | 156 | 95  | 32  | 52  | 49     | 30                | 1200   |
| 40  | 1"1/2 | 157 | 185 | 108 | 40  | 58  | 56     | 42                | 1800   |
| 50  | 2"    | 171 | 205 | 129 | 50  | 70  | 69     | 66                | 2400   |