



# ENAPART



93 S Railroad Avenue Unit C  
Bergenfield NJ 07621 USA  
[www.enapart.com](http://www.enapart.com)  
[sales@enapart.com](mailto:sales@enapart.com)



Via del Canneto 35,  
Borgosatollo, Brescia - Italia  
[www.enapart.it](http://www.enapart.it)  
[vendite@enapart.it](mailto:vendite@enapart.it)



Barbaros Mah. Ihlamur Bul. Aĝaoĝlu  
My Newwork No:3/15 Ataşehir / İstanbul  
[www.enapart.net](http://www.enapart.net)  
[satis@enapart.net](mailto:satis@enapart.net)



PRIVADA 10 B SUR #3908 COL.  
ANZUREZ, C.P. 72530, PUEBLA, PUE  
[www.enapart.com.mx](http://www.enapart.com.mx)  
[sales@enapart.com.mx](mailto:sales@enapart.com.mx)



Friedrich-Ebert-Anlage 36, 60325  
Frankfurt am Main, Germany  
[www.enapart.de](http://www.enapart.de)  
[anfrage@enapart.de](mailto:anfrage@enapart.de)



4 boulevard Carnot, 95400  
villiers-le-bel, Paris, France  
[www.enapart.fr](http://www.enapart.fr)  
[sales@enapart.fr](mailto:sales@enapart.fr)



65049, ОДЕСА, ВУЛИЦЯ ІВАНА  
ФРАНКА, БУДИНОК 55, ПОВЕРХ 3  
[www.enapart.com.ua](http://www.enapart.com.ua)  
[sales@enapart.com.ua](mailto:sales@enapart.com.ua)



MUNICIPIUL BUCUREȘTI, SECTOR 3,  
B-DUL BASARABIA, NR.250, CORP P+5  
[www.enapart.ro](http://www.enapart.ro)  
[sales@enapart.ro](mailto:sales@enapart.ro)



〒584-0023 大阪府富田林市若松町  
東2丁目2番16号  
[www.enapart.co.jp](http://www.enapart.co.jp)  
[sales@enapart.co.jp](mailto:sales@enapart.co.jp)



PLAZA NUESTRA SEÑORA DE LAS  
NIEVES 12 ,LOCAL ,50012,ZARAGOZA  
[www.enapart.es](http://www.enapart.es)  
[ventas@enapart.es](mailto:ventas@enapart.es)



Складова база „Онгъл“, Склад А2, п.к.  
4006, гр. Пловдив, България  
[www.enapart.bg](http://www.enapart.bg)  
[sales@enapart.bg](mailto:sales@enapart.bg)



3 Austin Mews, High Street, Hemel  
Hempstead, HP1 3AF , United Kingdom  
[www.enapart.co.uk](http://www.enapart.co.uk)  
[sales@enapart.co.uk](mailto:sales@enapart.co.uk)

Art. "PET"- SHUTTER ANGLE VALVE IN STAINLESS STEEL AISI 316 FOR HIGH PRESSURE



**DESCRIPTION**

Valve with flat shutter closing.  
The closing is carried out through the piston stem, at whose end the virgin PTFE seal is directly applied, therefore the stem becomes also closing shutter.  
The body valve is made in stainless steel AISI 316.  
Pneumatic actuator with reciprocating piston movement,  
Its very simple construction and the components employed guarantee a long life, high differential pressure even with the high operating frequencies.  
Perfect airtight.  
It is manufactured only in DOUBLE ACTING version.

The spring inside has only the purpose to cushion the opening when high pressure is intercepted.

Connections with inner GAS ISO 228 thread female-female.

Control air 1/4" GAS connection.

**ALLOWABLE TEMPERATURES**  
Operating temperature: from -20°C to +100°C

**PILOT PRESSURE:** Max 8 bar.

**VERSIONS AND SIZES**

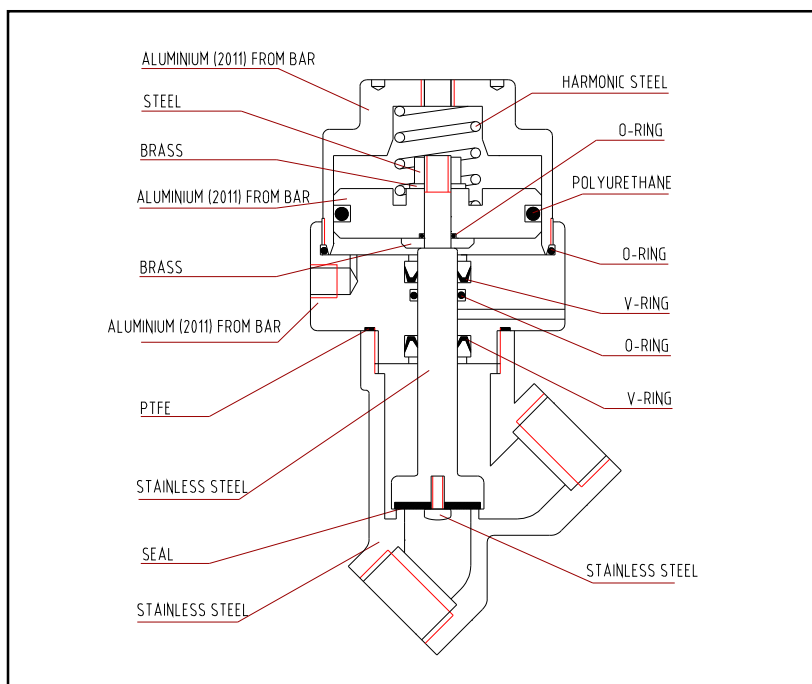
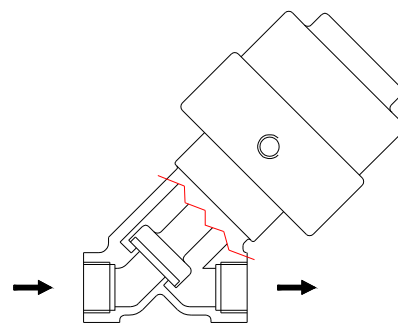
DA: 1/2" - 3/4"

**ANODIZING TREATMENT ON OUTSIDE DETAILS**

**MADE IN ALUMINIUM**

It is **not subject** to the "Water Hammer" if the fluid pass through the valve in the direction of the arrow printed on the body (under the actuator).

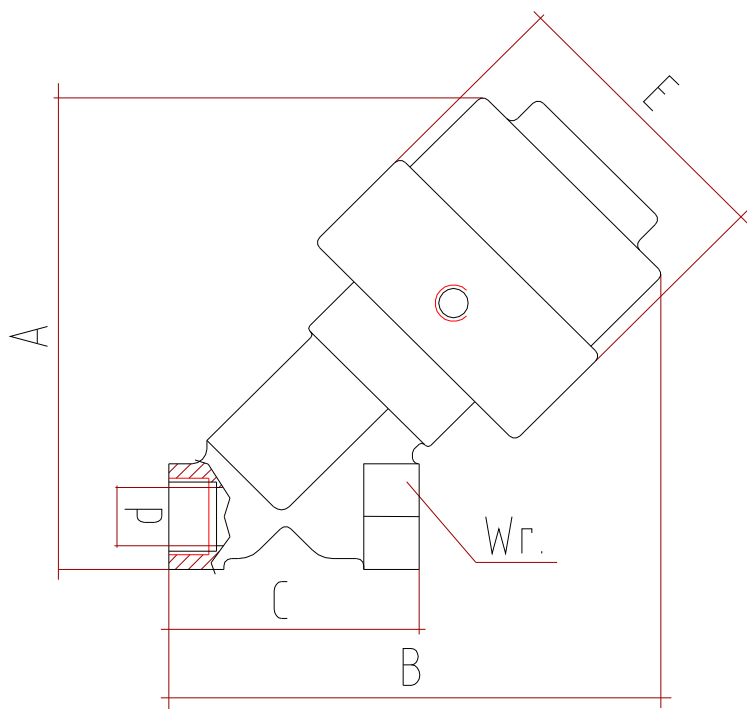
With these conditions the tightness is guaranteed up to the pressures shown in the Differential Pressure Chart.



Art. "PET"

**DIFFERENTIAL PRESSURE CHART**

PILOT PRESS.	DeltaP bar	DeltaP bar
bar	1/2"	3/4"
2	27	
2.5	32	
3	36	21
3.5	42	24
4		28
5		35
6		42



**OVERALL DIMENSIONS**

DN	G	A	B	C	d	E	Wrench	Weight
		mm.	mm.	mm.	mm.	mm.	mm.	gr.
15	1/2"	129	136	68	15	77	29	1100
20	3/4"	136	139	79	20	77	38	1300