



# HP cover

## FOR CX.250 PNEUMATIC BRAKE



- ✓ Minimum maintenance
- ✓ High heat dissipation
- ✓ High performance fan
- ✓ Thermocouple sensor available on HP3 cover

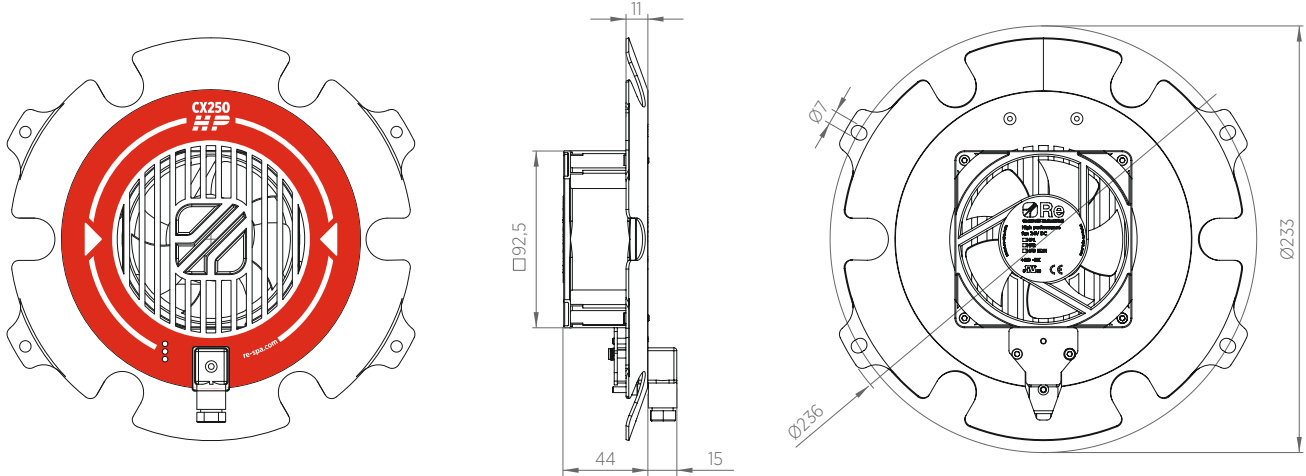
The HP fan allows to reach an higher heat dissipation in order to increase the life span of the pads reducing maintenance costs. Moreover, the cover drastically reduces the external dimensions of the brakes.

The new HP3 cover can be equipped with the **thermocouple sensor** that recognize the internal temperature in order to always maintain automatically the right speed of the fan. Thanks to the sensor brake performance will increase considerably and brake parts maintenance will decrease. Three leds on the cover indicates the fan speed.

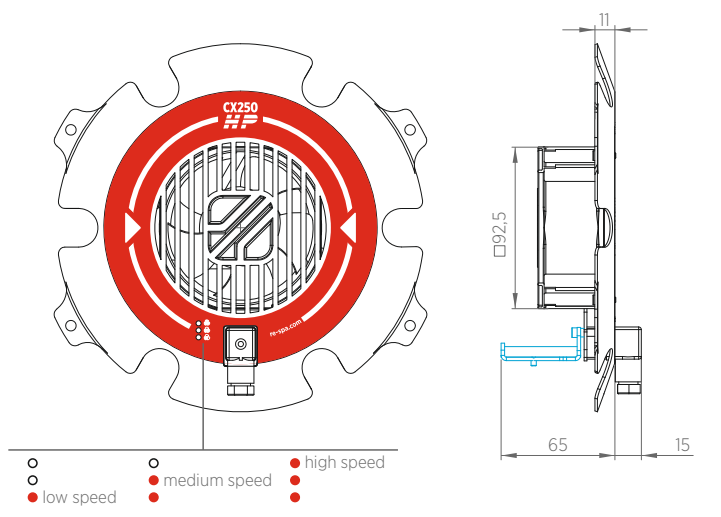
By mounting the **proximity sensor** inside the brake, it is possible to check the number of rotations by counting the pillars or sectors on the disc.

# TECHNICAL DRAWING

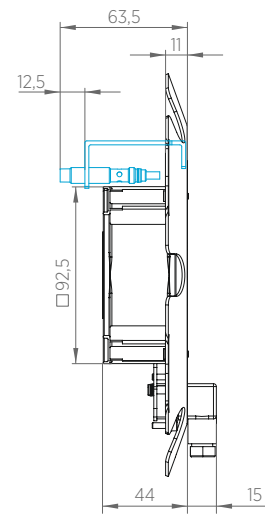
## HP1 / HP2 / HP3 cover



## HP3 cover with thermocouple sensor



## HP cover with proximity sensor



## TECHNICAL CHARACTERISTICS

	HP1	HP2	HP3
Power supply - Vdc	24	24	24
Power consumption - Watt	20	30	50
Absorption - A	0,8	1,25	2,1
Heat dissipation - kW	3,5	4	4,5
Optional			
Proximity	v	v	v
Thermocouple	-	-	v

\*Data are subject to technical change without notice