

Filter Fan LV 410

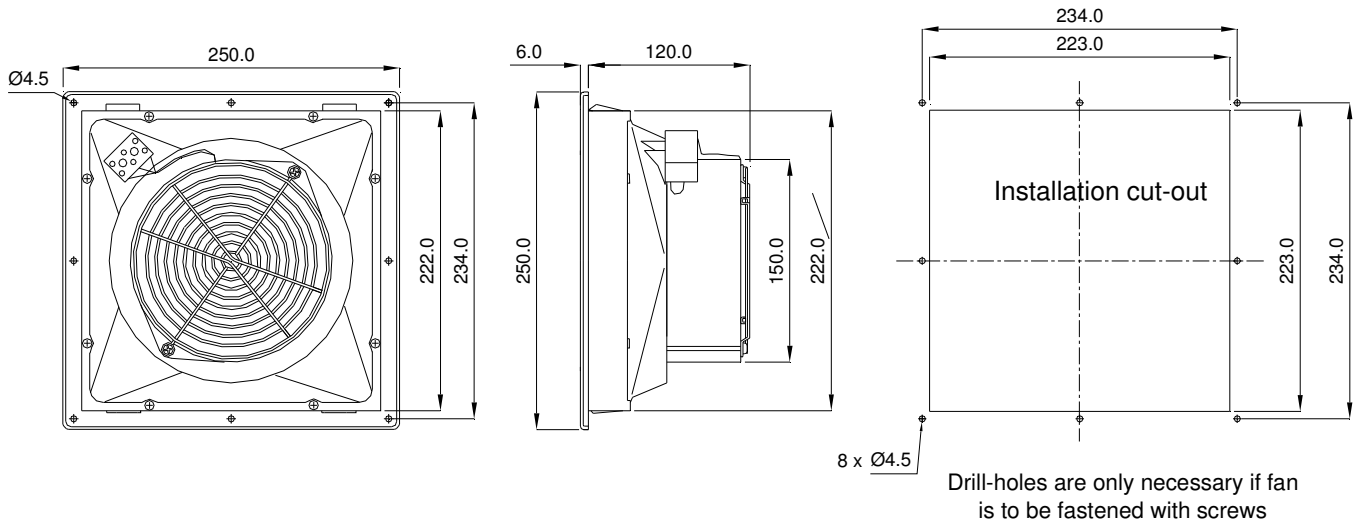


Technical data:				
Type:	LV 410			
Voltage	230 V 50/60 Hz	115 V 50/60 Hz	48 V DC	24 V DC
Amperage	0,30/0,25 A	0,53/0,50 A	0,33 A	0,66 A
Power input	45/39 W	43/40 W	16 W	16 W
Speed	2760/3030 min ⁻¹		2950 min ⁻¹	
Temperature range	-10...+55 °C			
Service life	40.000 h			
Noise level	52 dB (A)			
Approval	UL (IP 54), CE			
colours	RAL 7035 (Standard), RAL 7032			
Degree of protection	IP 54 with Filter mat G3			
	IP 55 with Z-Line Filter (F5) and expanded metal, UV-resistant front grille			
Gasket	foamed gasket			
Air flow: (m ³ /h)				
Filter mat	G3 50 Hz	G3 60 Hz	Z-Line-Filter 50 Hz	Z-Line-Filter 60 Hz
Air flow free air	250	275	230	253
GV 400/500 with exhaust filter	205	226	188	207
GV 400/500 with 2 exhaust filter	229	253	209	233

Accessories:

Exhaust filter
Replacement filter mat
Thermostats

GV 400/500
AM 435P, AM 400P, AM 400T, ZF 400/500
TRS 60, TRW 60, TWR 60, TKW 60



Performance diagram

