

This product compliance with RoHS.

Fig.1

Dimension

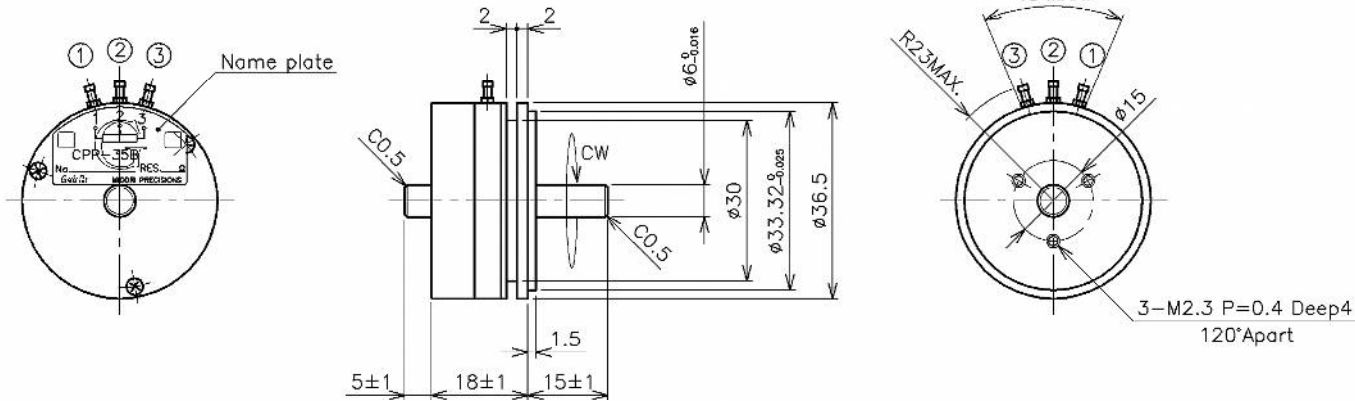
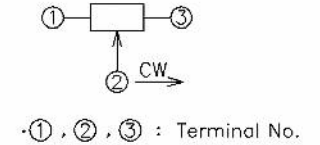


Fig.2

Schematics



Specifications

Effective electrical travel	:	340° ±5°
Total resistance	:	0.5 · 1 · 2 · 5 · 10kΩ ±20%
Independent linearity	:	±1% (Special: ±0.2%)
Rated dissipation	:	2W/+70C
Output smoothness	:	0.1% MAX.
Insulation resistance	:	100MΩ MIN. DC1000V
Dielectric strength	:	AC1000V 1 minute
Temperature coefficient of resistance	:	±400ppm/K
Total mechanical travel	:	360° Endless
torque	:	1.4mN · m MAX.
Mass	:	Approx. 40g
Radial load	:	5N MAX.
Thrust load	:	3N MAX.
Operating temperature range	:	-40~+100C

Dimension	:	See Fig.1
Schematics	:	See Fig.2
Life cycle	:	10Million MIN. shaft revolutions

(The life cycles shall be defined by reaching one of any following specifications on the conditions of 60~400rpm constant cycles under room temperature, room humidity and no mechanical load.)

- Variation of total resistance value--by 10% of initial value.
- Independent linearity--by 1.5 times of standard value.
- Output smoothness--by 1.5 times of standard value.
- torque--by 1.5 times of standard value.

SPECIFICATION DRAWING			CUSTOMER/SPEC. NO.	
MODEL: CPP-35B				
APPROVED	T.Yamazaki	TOLERANCE	DATE	12.21.2017
CHECKED	T.Yamazaki	±10 ±0.25	SCALE	1:1
DRAWN	k.Yoshino	10< ±100 ±0.5	DRAWING PRACTICE	⑧ ⑨
		100< ±1.0	DRAWING NO. A-MPF-B10	
		ANGLE ±1.5°	REV. 0	

REV.	DATE	DESCRIPTION	APPROVED	CHECKED	DRAWN