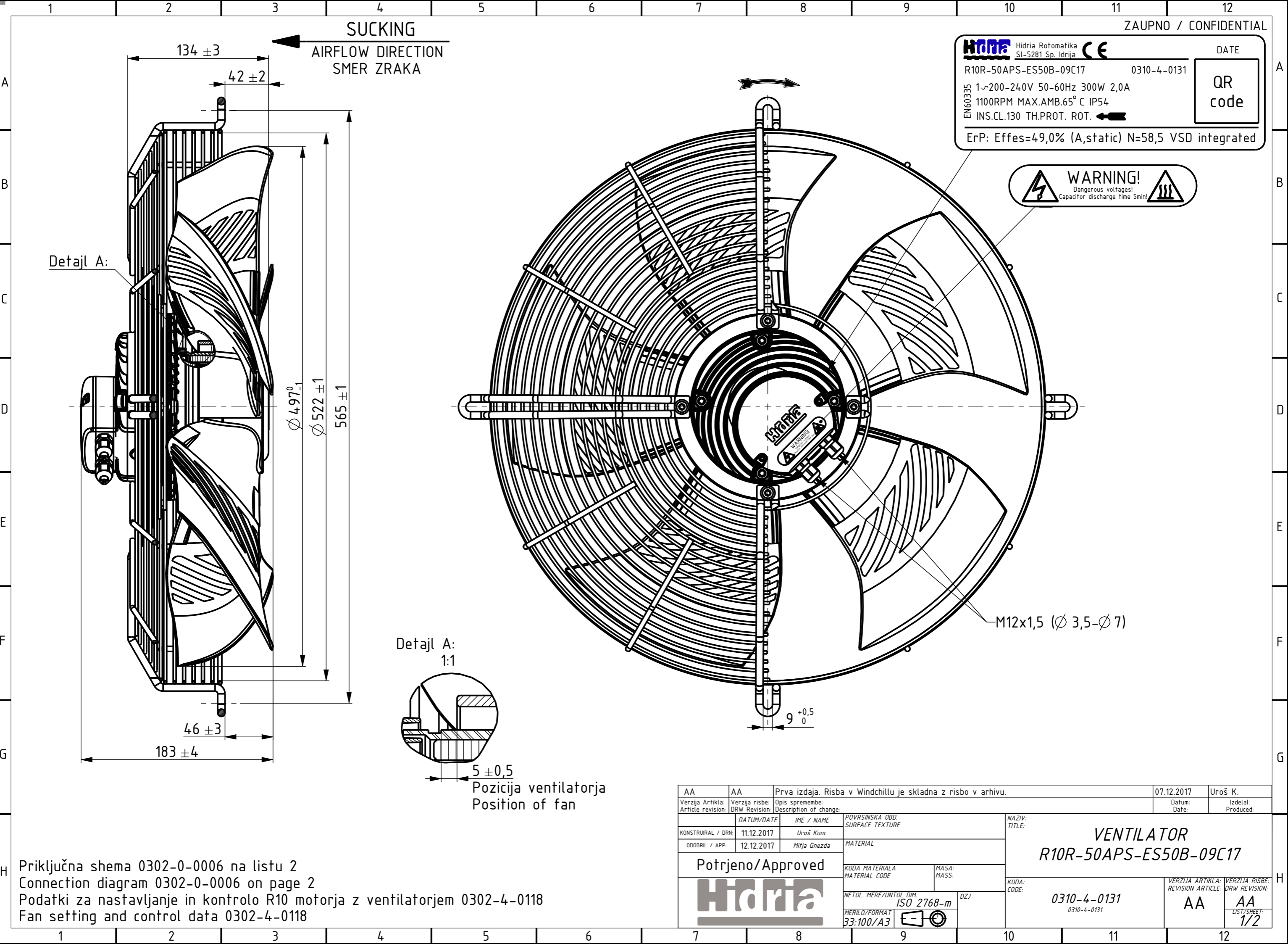


All drawings, regardless of form, are owned by Hidria Rotomatika d.o.o. and are strictly confidential and present copyright. Intellectual Property Rights as follows of patent's, petty patents, design patents, design patents and registered designs, copyrights, trade secret rights, and similar exclusive rights in industrial property connected with the drawings are reserved by Hidria Rotomatika d.o.o.. Disclosure to any third party is strictly forbidden.

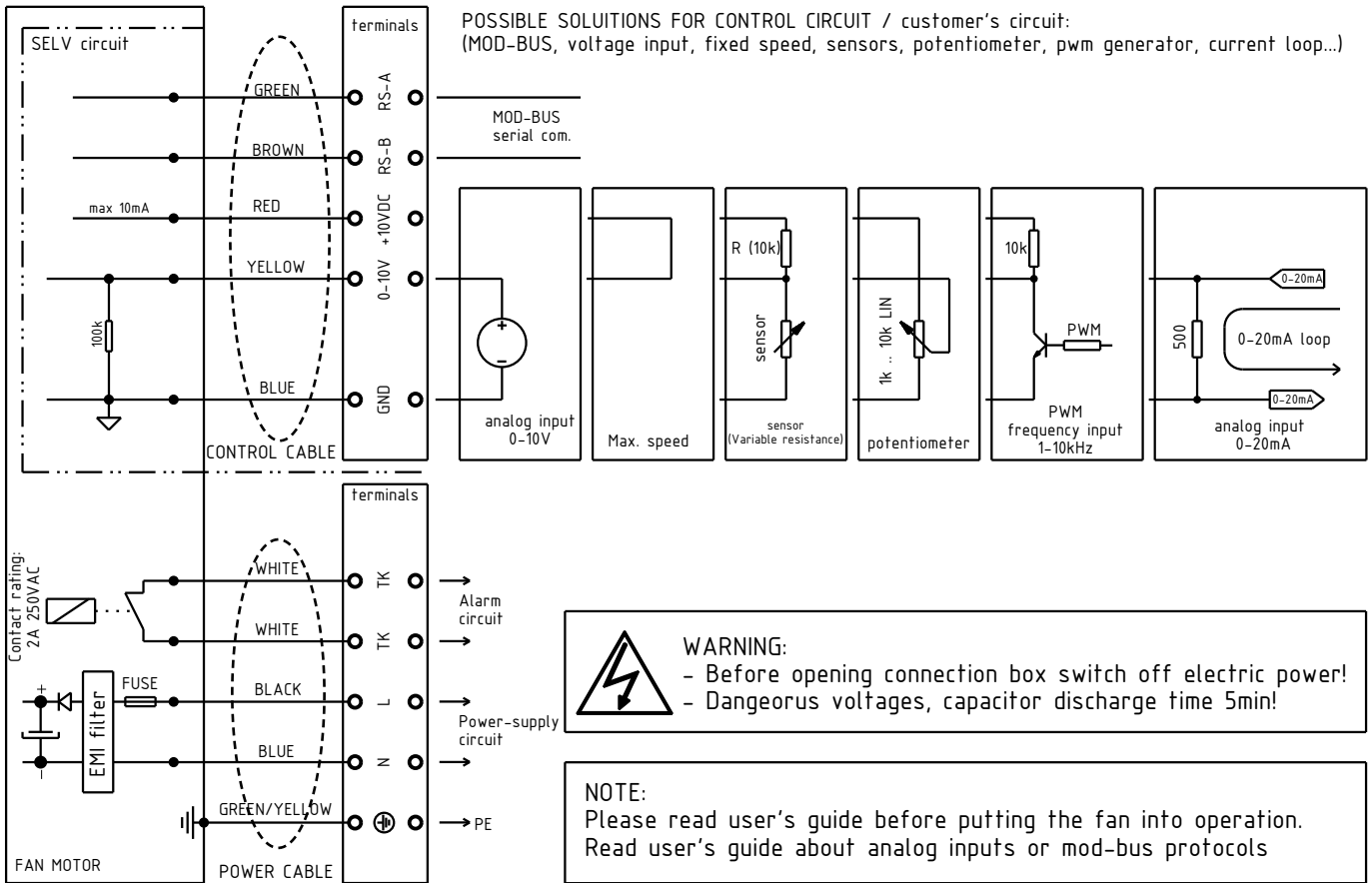


Hidria	Hidria Rotomatika SI-5281 Sp. Idrija	CE	DATE
R10R-50APS-ES50B-09C17	0310-4-0131	<div style="border: 1px solid black; padding: 5px;"> QR code </div>	
1~200-240V 50-60Hz 300W 2,0A			
1100RPM MAX.AMB.65° C IP54			
INS.CL.130 TH.PROT. ROT.			
ErP: Effes=49,0% (A,static) N=58,5 VSD integrated			

AA	AA	Prva izdaja. Risba v Windchillu je skladna z risbo v arhivu.	07.12.2017	Uroš K.
Verzija Artikla: Article revision:	Verzija risbe: DRW Revision:	Opis spremembe: Description of change:	Datum: Date:	Izdelal: Produced:
KONSTRUIRAL / DRN:	11.12.2017	Uroš Kunc	VENTILATOR R10R-50APS-ES50B-09C17	
ODOBRIL / APP:	12.12.2017	Mitja Gnezda		
Potrjeno/Approved 		POVRINSKA OBD. SURFACE TEXTURE MATERIAL KODA MATERIALA MATERIAL CODE MASA: MASS: NETOL. MERE/UNTOL DIM. ISO 2768-m DZJ MERILO/FORMAT 33:100/A3		
			KODA: CODE: 0310-4-0131 0310-4-0131	VERZIJA ARTIKLA: REVISION ARTICLE: AA VERZIJA RISBE: DRW REVISION: AA LIST/SHEET: 1/2

Priključna shema 0302-0-0006 na listu 2
 Connection diagram 0302-0-0006 on page 2
 Podatki za nastavljanje in kontrolo R10 motorja z ventilatorjem 0302-4-0118
 Fan setting and control data 0302-4-0118

Connecting diagram 0302-0-0006



IMPORTANT:

This appliance is solely intended as a build-in component and should not be operate otherwise. Do not cycling the power supply for cycling operation mode - use control signal! High 'In-rush current' can occur during cycling power supply!

KONSTRUIRAL / DRN: 11.12.2017 ODOBRILO / APP: 12.12.2017		IME / NAME: Uroš Kunc Mitja Gnezda		POVRŠINSKA OBD. SURFACE TEXTURE MATERIAL		NAZIV: TITLE: VENTILATOR R10R-50APS-ES50B-09C17	
Potrjeno/Approved 				KODA MATERIALA MATERIAL CODE MASA: MASS:		KODA: CODE: 0310-4-0131 0310-4-0131	
NETOL. MERE/UNTOL DIM. ISO 2768-m MERILO/FORMAT 1:1/A4		DZJ		VERZIJA ARTIKLA: REVISION ARTICLE: AA		VERZIJA RISBE: DRW REVISION: AA LIST/SHEET: 2/2	

All drawings, regardless of form, are owned by Hidria Rotomatika d.o.o. and are strictly confidential and present copyrights. Intellectual Property Rights as follows rights under the laws of patents, petty patents, design patents and registered designs, copyrights, trade secret rights, and similar exclusive rights in industrial property connected with the drawings are reserved by Hidria Rotomatika d.o.o. Disclosure to any third party is strictly forbidden.

Risbe so last družbe Hidria-Rotomatika d.o.o. in predstavljajo poslovno skrivnost in so avtorsko delo. Vse pravice iz patentov, blagovnih znamk in modelov povezanih z risbami pripadajo družbi Hidria Rotomatika d.o.o. Vsak prenos tretjim osebam brez pisnega dovoljenja družbe Hidria Rotomatika d.o.o. je strogo prepovedan.