

F.M.I. part number: EC206AAB09DAA1 REV01

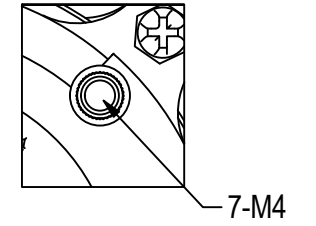
Customer part number:

S.P.:

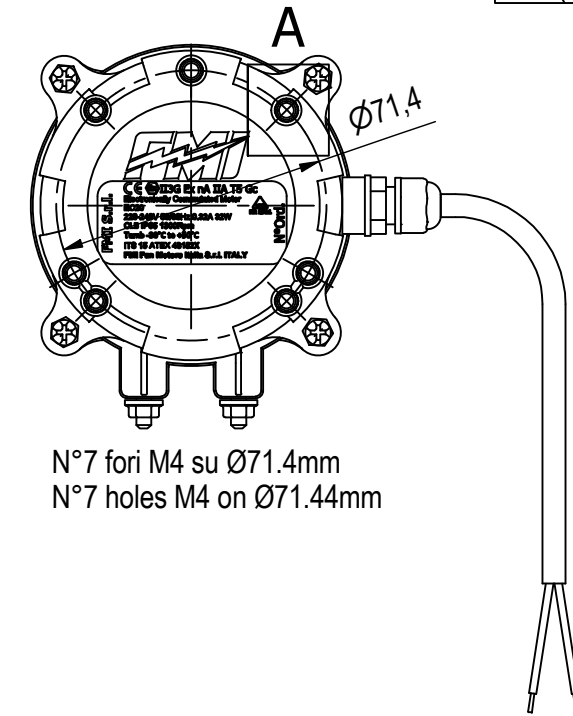
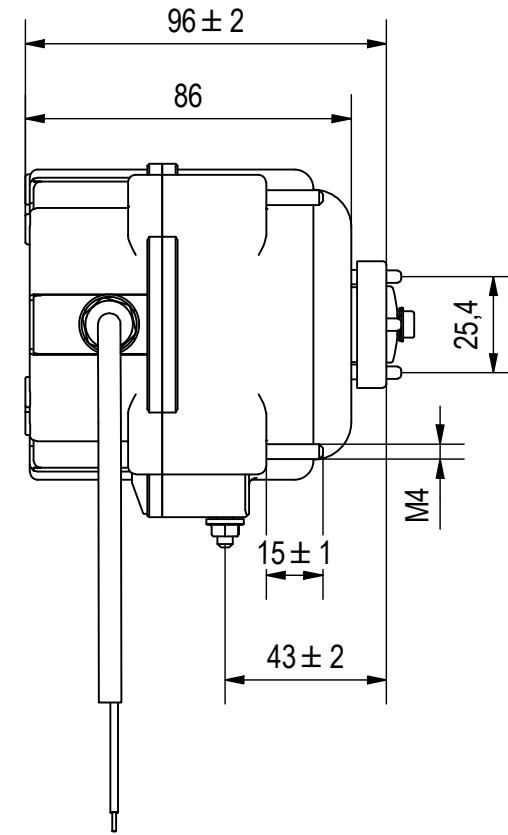
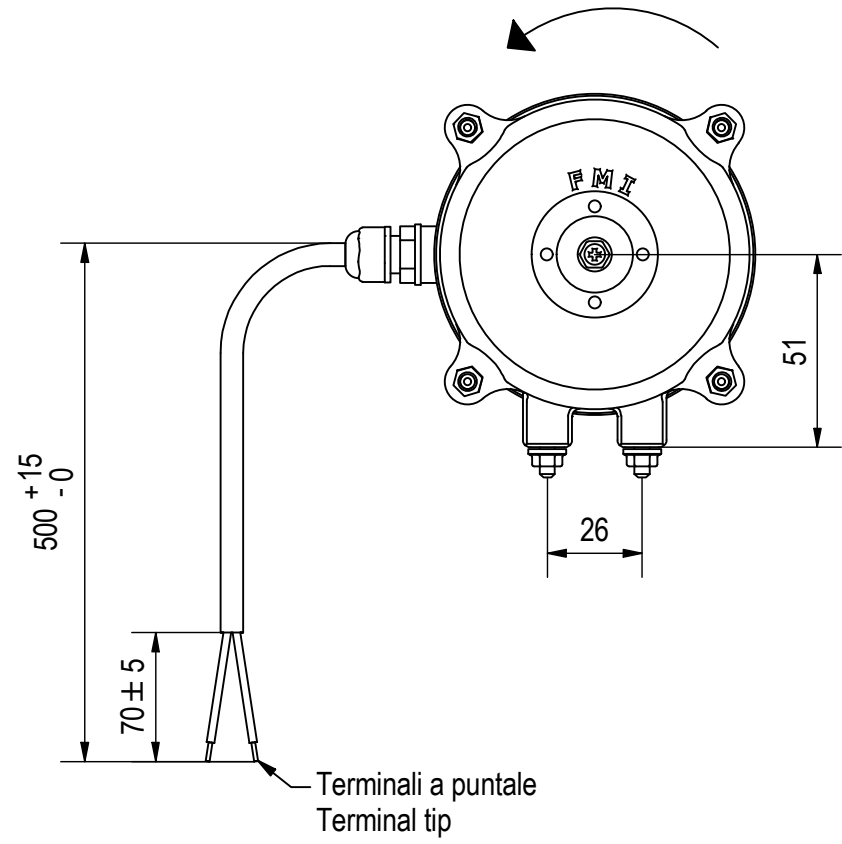
Issued: M.Nava

Checked:

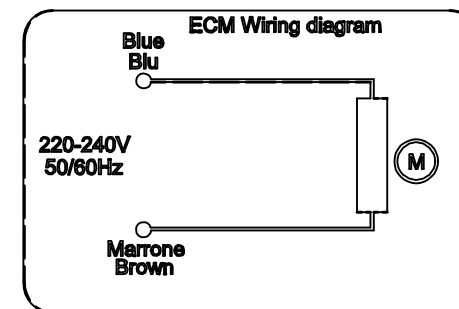
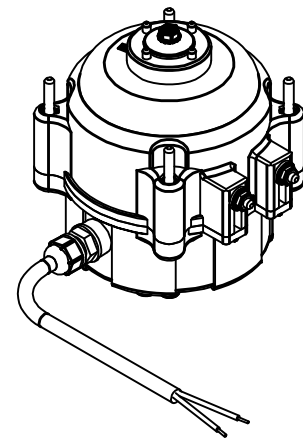
A (1:1)



Rotazione antioraria lato uscita albero
C.C.W. rotation seen from shaft



N°7 fori M4 su Ø71.4mm
N°7 holes M4 on Ø71.44mm



CE **Ex** **II3G** **Ex nA** **IIA** **T5** **Gc**
Electronically Commutated Motor
EC206AAB09DAA1
220-240V 50/60Hz 0.32A 32W
Cl.B IP65 1300Rpm
Tamb -30°C to +50°C
ITS 15 ATEX 48182X
FMI Fan Motors Italia S.r.l. ITALY



Issued date: 10/10/2019		
Date	Modification:	Sign.
10/10/2019	Modificata etichetta (REV01)	Nava

Customer stamp for acceptance

Note	
1	Temperatura ambiente: -30°C +50°C - Ambient temperature: -30°C +50°C
2	Motore a cuscinetti - Ball bearings motors
3	
4	
5	
6	