



### Nominal data

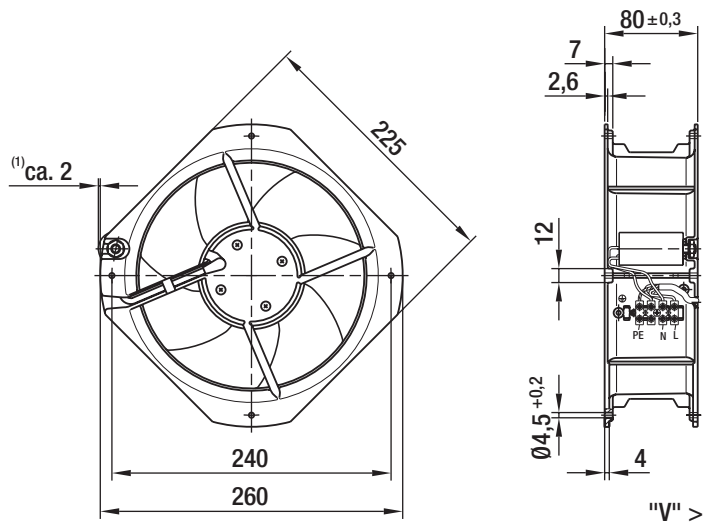
Type	W2E200-HK38-01		
Motor	M2E068-BF		
Phase		1~	1~
Nominal voltage	[V]	230	230
Frequency	[Hz]	50	60
Type of data definition		rfa	rfa
Valid for approval / standard		CE	CE
Speed	[min <sup>-1</sup> ]	2630	3000
Power input	[W]	60	70
Current draw	[A]	0.30	0.31
Motor capacitor	[μF]	1.5	1.5
Capacitor voltage	[VDB]	450	450
Max. back pressure	[Pa]	80	95
Max. ambient temperature	[°C]	50	60
Air flow	[m <sup>3</sup> /h]	880	1000
Back pressure	[Pa]	0	0
Sound pressure level	[dB(A)]	58	61

ml = max. load · me = max. efficiency · rfa = running at free air · cs = customer specs · cu = customer unit  
Subject to alterations

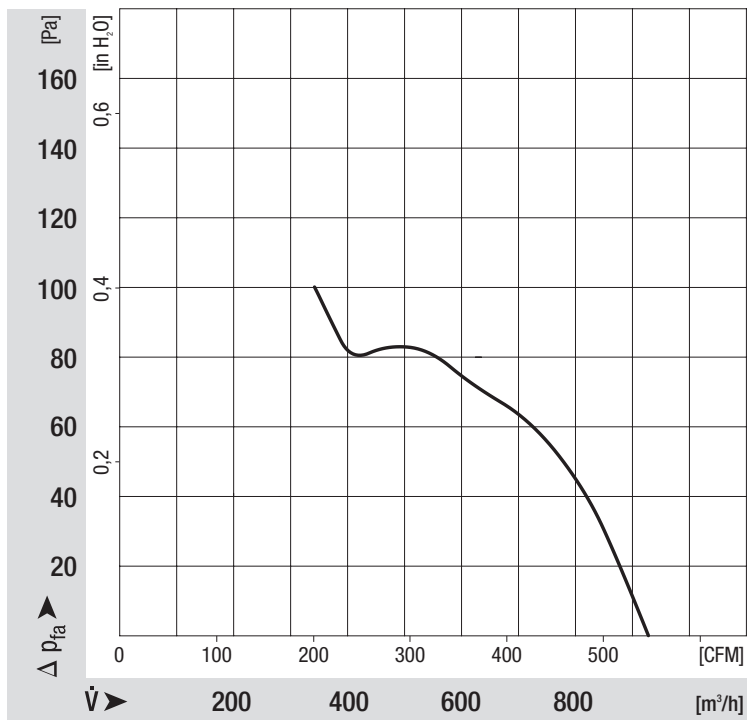
**Technical features**

<b>Leakage current</b>	< 0,75 mA
<b>Dimensions</b>	200 mm
<b>Size</b>	200 mm
<b>Operation mode</b>	Continuous operation (S1)
<b>Electrical leads</b>	Via terminal strips, integrated capacitor connected via terminal strips
<b>Direction of air flow</b>	"V"
<b>Insulation class</b>	"B"
<b>Cable exit</b>	Variable
<b>Motor capacitor</b>	P0; UL
<b>Bearing-motor</b>	Ball bearing
<b>Mass</b>	2.0 kg
<b>Housing material</b>	Die-cast aluminum
<b>Material of impeller</b>	Sheet steel, coated in black
<b>Motor protection</b>	Thermal overload protector (TOP) wired internally
<b>Product conforming to standard</b>	CE
<b>Type of protection</b>	IP 44
<b>Protection class</b>	I
<b>Approval</b>	CCC; CSA C22.2 Nr.77; GOST; UL 2111; VDE

## Product drawing



## Charts: Air flow 50 Hz



Charts: Air flow 60 Hz

