



1490

Panel process indicator

Panel installation 1/8 DIN format



Description

The 1490 is a Universal Input Indicator with single or dual configurable alarms, optional linear retransmission of Process Variable, Transmitter power supply option as well as optional Modbus communications.

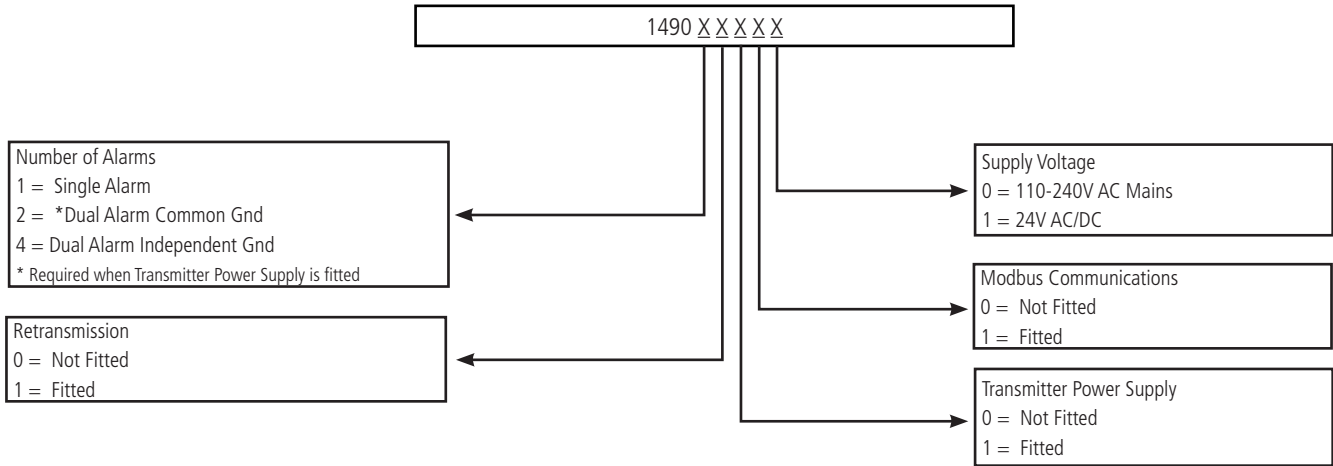
Features

- Universal Input
- 2 Alarm Outputs
- Retransmission
- Min/max Value Hold
- Modbus Communications
- Transmitter Power supply

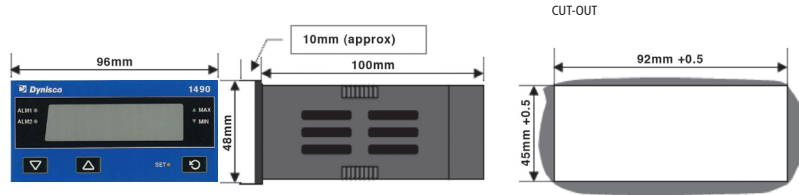
Features	
Output Configuration:	1 or 2 relay outputs, with optional linear retransmission
Alarms:	2 process high / low with adjustable hysteresis
Viewable Values:	Process variable, maximum value, minimum value
Human Interface	3 button operation, 5 digit 13mm high display red, 2 alarm indicator
Input	
Thermocouple:	J, K, C, R, S, T, B, L, N & PtRh20%vsPtRh40%
RTD:	3 Wire PT100, 50Ω per lead maximum (balanced)
Strain Gauge:	350 Ohm Strain Gage
Bridge Connection:	4 or 6 wire (6 to use internal shunt cal switch)
Bridge Excitation:	10V ±7%
Bridge Sensitivity:	1.4 to 4 mV/V
Input Signal Span:	- 25% to +125% of full scale (approximately -10 mV to +50 mV)
Calibration:	Internal switch between CAL2 & CAL1 terminals. External resistor only
Shunt Value:	From 40% to 100%
DC Linear:	0 to 20mA, 4 to 20mA, 0 to 50mV, 10 to 50mV, 0 to 5V, 1 to 5V, 0 to 10V, 2 to 10V
Scaleable:	-1999 to 99999 with adjustable decimal point
Impedance:	>10MΩ for Thermocouple and mV ranges, 47KΩ for V ranges and 5Ω for mA ranges
Accuracy:	±0.1% of input range ±1 LSD (T/C CJC better than 1°C)
Sampling:	10 per second, 16 bit resolution approximately (100ms sample time)
Sensor Break Detection:	<2 seconds (except zero based DC ranges), high alarms activate for T/C, RTD and mV ranges, low alarms activate for mA or V ranges

Outputs & Options	
Alarm Relays:	Contacts Single Relay SPDT 2 Amp resistive at 240V AC, >500,000 operations. Latching or non-latching. Dual Relay SPST 2 Amp resistive at 240V >200,000 operations. Reinforced safety isolation from inputs and other outputs
DC Linear Retransmit Outputs:	0 to 20mA, 4 to 20mA into 500Ω max, 0 to 10V, 2 to 10V, 0 to 5V into 500Ω min. 15 3/4 bit (1 part in 52K) and updated at about 65ms intervals. (130ms settling time) Stability: ±76ppm
Transmitter Power Supply:	Output 24VDC @ 60mA
Serial Communications:	2 Wire RS485, 1200 to 19200 Baud, Modbus
Logic Input:	External reset of latched relay, stored alarm 1 elapsed time, stored min/max PV values or initiate tare function. Action occurs on high (3 to 5VDC) to low <0.8VDC, or Open to Closed transition
Operating & Environmental	
Temperature & RH:	0 to 55°C (-20 to 80°C storage), 20% to 95% RH non-condensing
Power Supply:	110 to 240V 50/60Hz 7.5VA (optional 20 to 48V AC 7.5VA/22 to 65V DC 5 watts)
Front Panel Protection:	IEC IP66 (Behind panel protection is IP20)
Standards:	CE. Pollution Degree 2, Installation Category II "UL Listed"

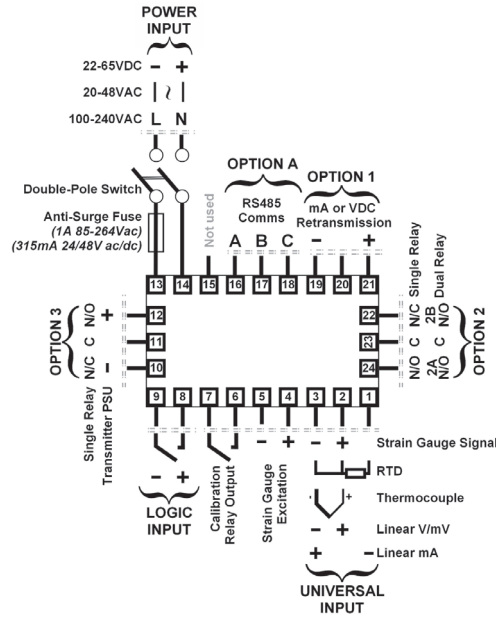
Ordering Guide for 1490 5 Digit 1/8 DIN Panel Indicator



Dimensions



WIRING LABEL/REAR TERMINALS



Azurr-Technology, s.r.o.

Dolní Bečva 579 Tel.: +420 571 647 228
 756 55 Tel.: +420 571 647 310
 Česká republika Email: info@azurr-tech.cz
 www.azurr-tech.cz



Všechny rozměry jsou uvedeny v palcích (mm), pokud není uvedeno jinak. © 2016.
 Společnost Dynisco si vyhrazuje právo provést změny bez předchozího upozornění.
 Přístupy k dokumentům jako jsou návody k obsluze a jiné podpůrné dokumenty
 naleznete na www.dynisco.com
 Rev.:1216