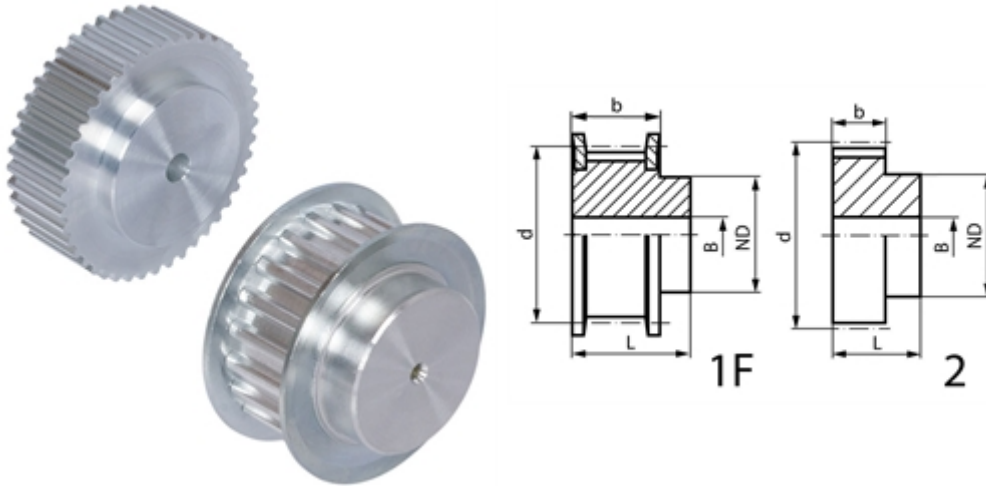


Menu

Timing belt pulley T5 material aluminium 10 teeth for belt width 10mm 21 T5/10-2



Material: Aluminium similar EN AW2017A. Flanges nickel-plated steel.

Service: [Katalogseite](#) [Zusätzliche Informationen](#)

The supplied 3D models, pictures and technical drawings are made with reasonable care. Nevertheless liability is excluded for the accuracy and correctness of this data.

Article ID: 16221000

Type	21 T5/10-2
No. of Teeth	10
Type	1F
Belt Width [mm]	10
Outer Ø Toothed Wheel [mm]	15,05
Outer Ø Flanged Wheel [mm]	19,5
d [mm]	15,92
ND [mm]	8
b [mm]	15
L [mm]	21
Pilot Bore B [mm]	-
Weight [g]	12

[Back to overview](#)

[Imprint](#) [Terms and Conditions](#) [Help](#) [Privacy notice](#) [Index](#)



Facebook



YouTube



Twitter



Google +



Xing



LinkedIn