

CVM-C4



Multi-function, panel-mount multimeter

Description

CVM-C4 is a power analyser that measures, calculates and displays the main electrical parameters for single-phase and three-phase networks (with or without neutral) on its screen.

Measurement is made in true rms value, by means of 3 AC voltage inputs and 3 /5 A or /1 A current inputs. Relay outputs enable local operation in the event of an alarm event being triggered. Its dimensions are 96 x 96 mm with a depth of only 41.5 mm. Current measurement is indirectly carried out by /5A or /1A transformers.

It allows AC (80...270 Vac) and DC (80...270 Vdc or 18... 36 Vdc power supply systems). It features RS-485 communications enabling remote data readout or Scada or Master centralisation.

Applications

- For electrical parameter measurement in areas whose reduced dimensions require the installation of a space-saving panel analyser.
- Instantaneous value measurement of electrical parameters with communications.
- Logging of consumed or generated Active or Reactive Energy.
- The device's relay outputs allow the installation to be locally operated.
- Programmable alarms by setting relay activation time, connection delay and hysteresis.
- 5000 imp/kWh energy impulse outputs
- Energy measurement of two different sources on 2 separate meters (by digital input activation).
- Voltage and current THD% measurement to check for harmonics in the installation.

Technical specifications

AC / DC power supply	Nominal voltage	80... 270 V ~	80... 270 V ===	18... 36 V ===
	Frequency	50/60 Hz	-	-
	Consumption	6... 18 VA	1.5... 1.8 W	1.8... 2.2 W
	Installation category	Cat III 300V		
Voltage measurement circuit	Nominal voltage	3 x 230 V / 400 V ~ (± 20 %)		
	Frequency range	45... 65 Hz		
	Impedance	> 1.7 MΩ		
	Overvoltage	1.2 in continuous, 2 in Instantaneous (1 min)		
Measurement circuit Current	Nominal current	1 A / 5 A ~		
	Impedance	< 20 mΩ		
	Overcurrent	1.2 In continuous, 10 In Instantaneous (5s)		
Accuracy class	V, A	0.2%		
	Power, Energy	0.5 %		
Relay output	Quantity	2		
	Contact capacity (resistive)	AC: 5 A / 250 V ~ , DC: 5 A / 30 V ===		
	Max. voltage Open contacts	277 V ~ / 30 V ===		
	Maximum current	5 A		
Impulse output	Type (Quantity)	Passive impulse (2)		
	Voltage / max. current	27 V/27 mA		
	Weight	5000 imp/kWh (fixed)		
Digital inputs	Type (quantity)	Potential-free contact (2)		
	Insulation	3.5 kV rms		
	Maximum short-circuit current	4 mA		
RS-485	Protocol	Modbus/RTU (RS-485)		
	Speed	2400 - 4800 - 9600 - 19200 bps		
Physical Characteristics	Envelope	pc + abs		
	IP Protection degree	Front: IP 54, Back: IP 20		
	Dimensions	96 x 96 x 41.5 mm		
Environmental conditions	Operating temperature	-10 ... + 60 °C		
	Storage temperature	-20 ... + 70 °C		
	Relative humidity	5 ... 95%		
	Maximum height	2000 m		
Standards	IEC 61000-4-2, IEC 61000-4-3, IEC 61000-4-4, IEC 61000-4-5, IEC 61000-4-6, IEC 61000-4-8, IEC 61000-4-11, IEC 61010-1			

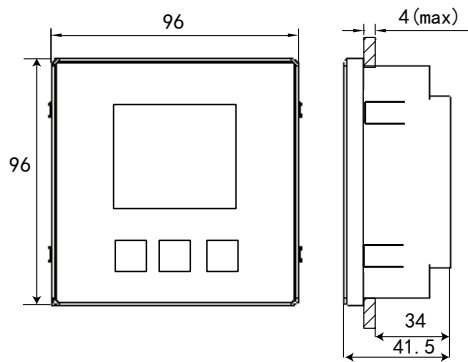
CVM-C4

Multi-function, panel-mount multimeter

References

Power Supply	Current input	Inputs	Outputs	RS-485	Type	Code
80... 270 Vac/dc	.../5 A, .../1 A	2	2	RS-485 / ModbusRTU	CVM-C4	M52706.
18... 36 Vdc	.../5 A, .../1 A	2	2	RS-485 / ModbusRTU	CVM-C4-SDC	M527060030000

Dimensions



Connections

Three-phase 4-wire connection

Three-phase 3-wire connection

