

The copyright to this drawing belongs to us. No duplication or transfer to, providing access to or communicating to any third parties is allowed of its contents or excerpts thereof. This drawing may not be used without our approval for any purpose other than that for which it has been entrusted to the recipient.

BEDIA Motorentechnik GmbH & Co.KG, Altdorf bei Nürnberg

Technical data

Medium water, coolant
 Function Minimum - operating current (oc)
 Operating voltage 12 / 24 V (-25% / +50%) (9 - 36 VDC)
 Current consumption typ. < 8 mA
 Output low side switch
 ≤ 1 A over the whole temperature range
 short-circuit and overload protected over the ambient temperature range. At inductive loads freewheeling diode e.g. 1N4007, has to be mounted at the load.
 Mounting thread 1/4" NPTF
 Function control 2 seconds ± 5%
 Fault indication delay 7 seconds ± 5%
 Connection connector bayonet 16S
 Housing material CuZn38Pb2
 EN12164; CW608N
 capacitive connected to ground
 Probe coating Tefzel® ETFE
 Probe protection IP 67 to DIN40050
 Weight approx. 90 g
 Marking manufacturer; type; manufacturer no.; SN; year / week; approval
 Switch point hysteresis typ. < 3 mm
 Medium temperature -40 °C to +125 °C (-40 °F to +257 °F)
 Ambient temperature -40 °C to +125 °C (-40 °F to +257 °F)
 Storage temperature -50 °C to +125 °C (-58 °F to +257 °F)
 Mounting position optional
 Reverse polarity protection inbuilt between positive and negative terminal

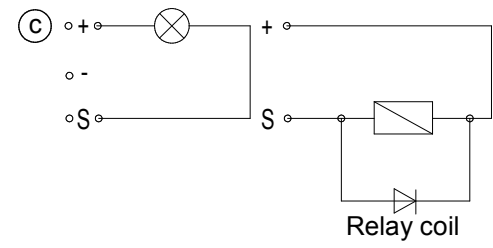
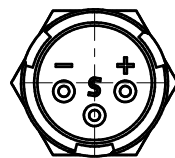
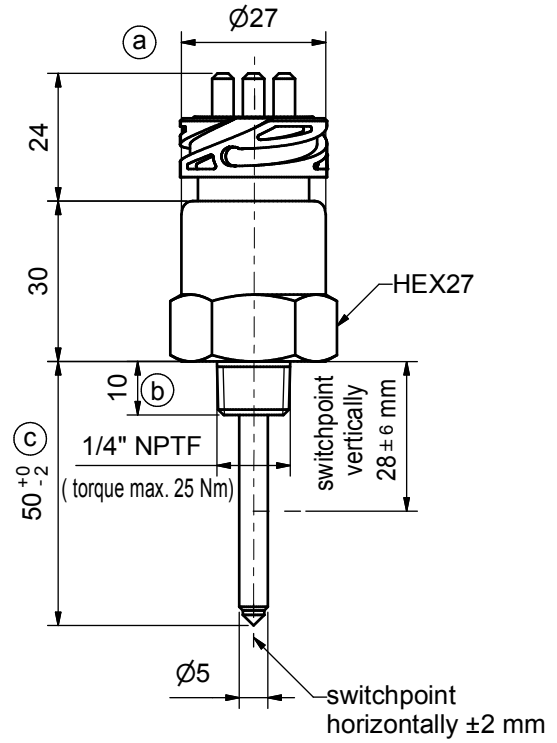
Caution!!
 Do not connect negative potential to signal terminal of the sensor and positive potential to negative terminal of the sensor.

Approval (a) e1
 035459
 Customs tariff number 90261029

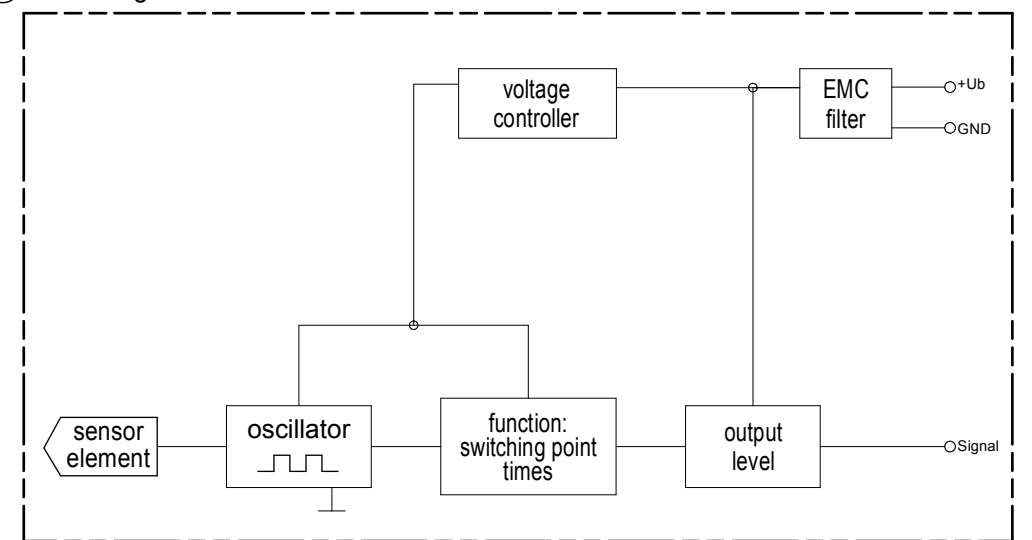
Environmental simulations

(c) Vibration ISO 16750-3:2007 10 Hz - 2000 Hz 20 g
 Free Fall IEC 16750
 Mechanical Shock DIN EN 60068-2-27:1995; 100 g / 11ms
 Dry Cold DIN EN 60068-2-1:2006; -40 °C / 24 h (-40 °F / 24 h)
 Dry Heat DIN EN 60068-2-2:2008; +125 °C / 96 h (+257 °F / 96 h)
 Temperature cycling DIN EN 60068-2-14:2000
 Damp Heat DIN EN 60068-2-78:2002
 Damp Heat, steady state DIN EN 60068-2-30:2006
 Salt spray DIN EN 60068-2-52:1996
 Pressure resistance 2,5 MPa (25 bar / 362,6 psi) (25°C / 77°F / 1 h)

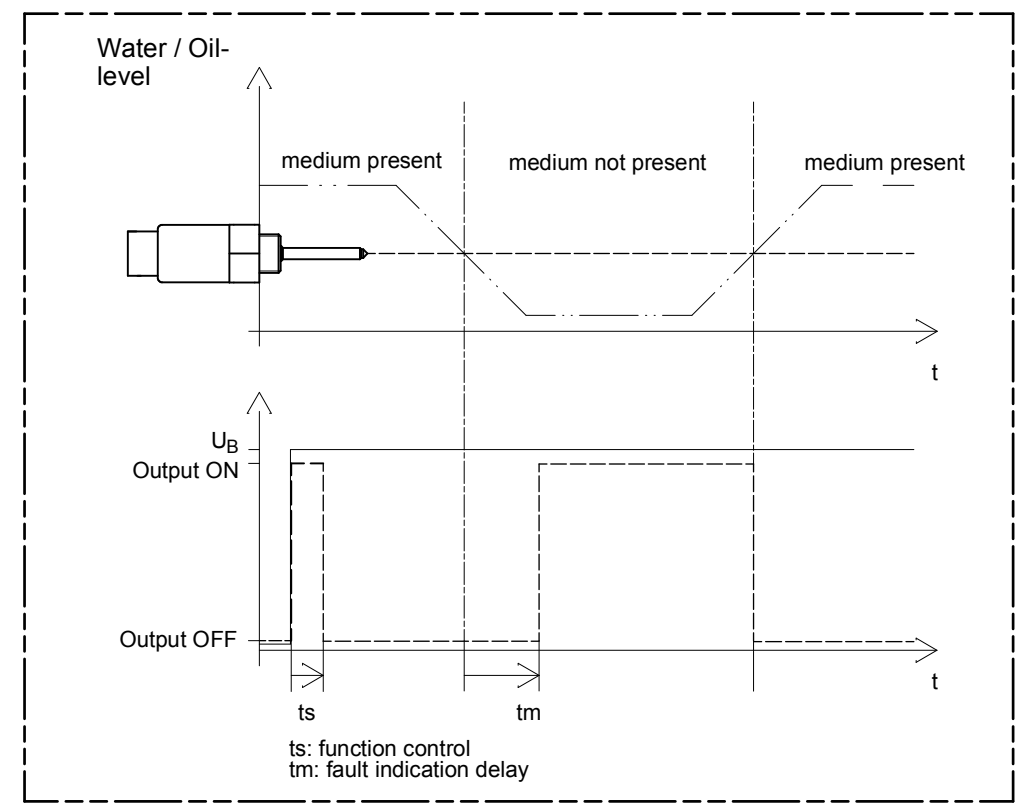
(c) **EMC**
 Radiated emission 2004/104/EG 30 MHz - 1 GHz; 1 m
 Conducted transient emission ISO 7637-2:2004
 Immunity to RF electromagnetic fields ISO 11452-1/-2 1000 MHz - 2000 MHz; 150 V / m (rms)
 Immunity to RF electromagnetic fields in the stripline ISO 11452-1/-5 20 MHz - 1000 MHz; 150 V / m (rms)
 Transient immunity test on power lines ISO 7637-2/2004 Impulse 1, 2a, 2b, 3a, 3b, 4



(c) Block diagram



(a) Functional diagram for MINIMUM Probes



field of application	admissible tolerance	surface	scale 1:1	position -	amount -
	ISO2768-mK				
	date	name	description		
	created by 14.07.2008	extern	CLS-40 water level sensor low side switch - operating current with connector bayonet 16S		
	checked by 04.08.2008	SasCh			
c	revised 15.12.09	MoeMi/SasCh	drawing number	sheet	
b	housing: 49.4 -> 50	02.03.09	SchAl/StaRo	1/1	
a	see drawing	26.01.09	MoeMi/SasCh		
rev.	modification	date	name/checked by	drawing path: I:\CAD\321577\US.idw	

