



## baelz 373-E07

### DESCRIPTION

Motorized linear actuator for control operation For control valves up to DN125.

### TECHNICAL SPECIFICATIONS

Ambient conditions:  
 Temperature: 0 ... +50°C  
 Relative humidity: 0 ... 75%

Stroke:  
 12, 16, 22 mm

Cover: plastic  
 1 cable inlet M16x1.5 (plastic)  
 2 locking screws for cable inlet M16x1.5 (plastic)  
 Manual operation

Yoke options:  
 Aluminum yoke for valves DN15 ... DN125  
 S21 - for fittings with Ø 10 mm spindle  
 S21-L - for fittings with Ø 16 mm spindle

Type baelz 373	Weight, approx. (kg)	Power (N)	Speed (mm/min)		Power (VA)	Supply voltage	IP rating
			50 Hz	60 Hz			
E07-20-06-S21/L	2.2	2000	6	7.2	11.7	230 V, 115 V, 24 V 50/60 Hz	IP 42*
E07-20-18-S21/L	2.2	2000	18	21.7			
E07-70-130-S21/L	2.2	700	130	156			

\* - IP 65 can be ordered if manual operation is not required

Option / Extra	Description	Remarks
2EZ-V2	2 limit switches with position indicator	
Mf-FgA	Multiturn potentiometer	A= 200 Ω, 5 kΩ, 1 kΩ Please specify resistance when ordering
2EZ-V2-FgA	2 limit switches with position indicator and feedback potentiometer	
ZB373-E07-7164-230	Built-in microprocessor controller (as an accessory for E07)	including potentiometer 1-5 kΩ Supply : 24 V / 115 V / 230 V 50/60 Hz order to match actuator!
ZB373-E07-7164-115		
ZB373-E07-7164-24		
7020-230	Built-in digital positioner (as an option for E07)	Input / output signal: 0(2)...10 V / 0(4)...20mA factory setting 0...10 V Includes 5 kΩ feedback potentiometer Supply : 24 V / 115 V / 230 V 50/60 Hz
7020-115		
7020-24		
ZB373-E07-1020-24-i-M	Electric positioner, built in to E07	Option: output signal (position feedback)
MP373-E07-S21-L	Yoke assembly for valves with spindle Ø 16 mm	Surcharge on top of basic price of 373-E07...S21
MP373-E07-Silf	Silicone-free version	
MP373-E07-KT9992	Mechanical travel limits	
MP373-E07-RH	Locking manual override	
MP373-E07-IP65	Ingress protection rating IP65	
MP373-E07-2RC	2 additional RC snubbers	Fitted in actuator E07..., 230 V



baelz 7164

**Integrated positioners for baelz 373-E07:**

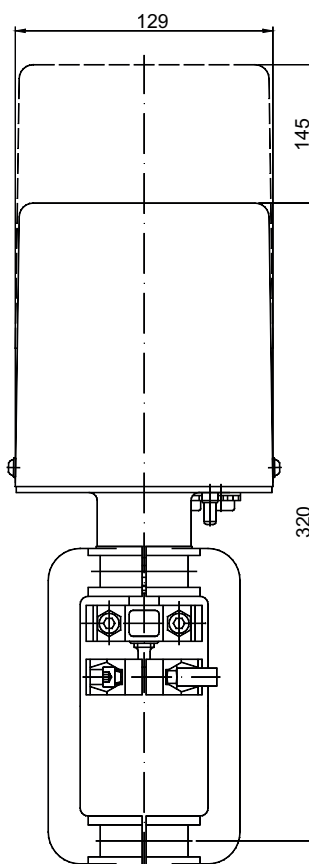
baelz 7164 - microprocessor-based controller  
 baelz 7020 - digital positioner

See section: 3.4 Built-in controllers for electric actuators

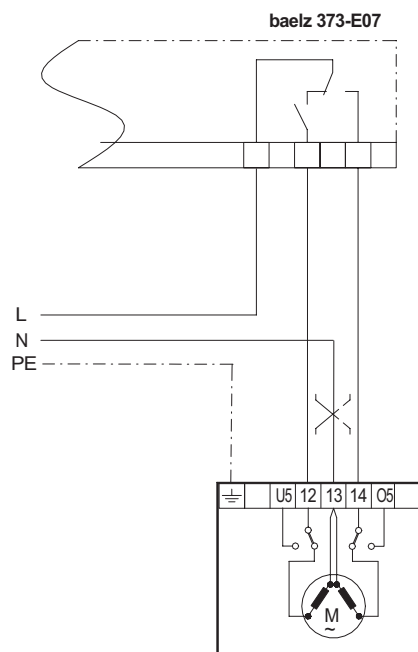


baelz 7020

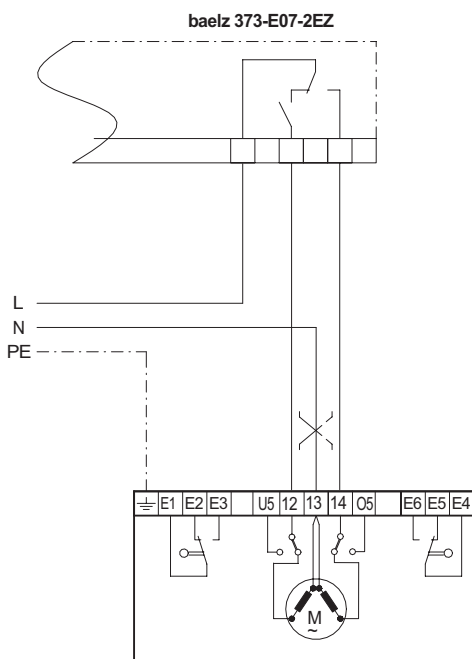
**Dimensions  
 baelz 373-E07 (mm)**



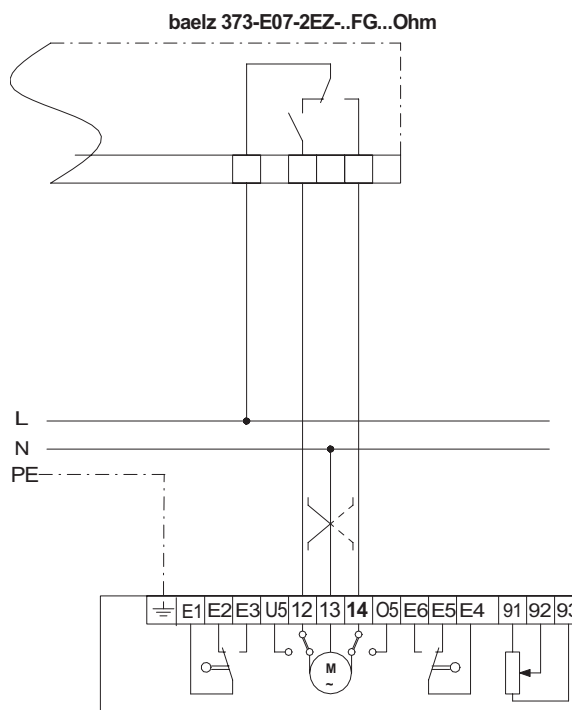
Wiring diagram, basic version



With additional limit switches

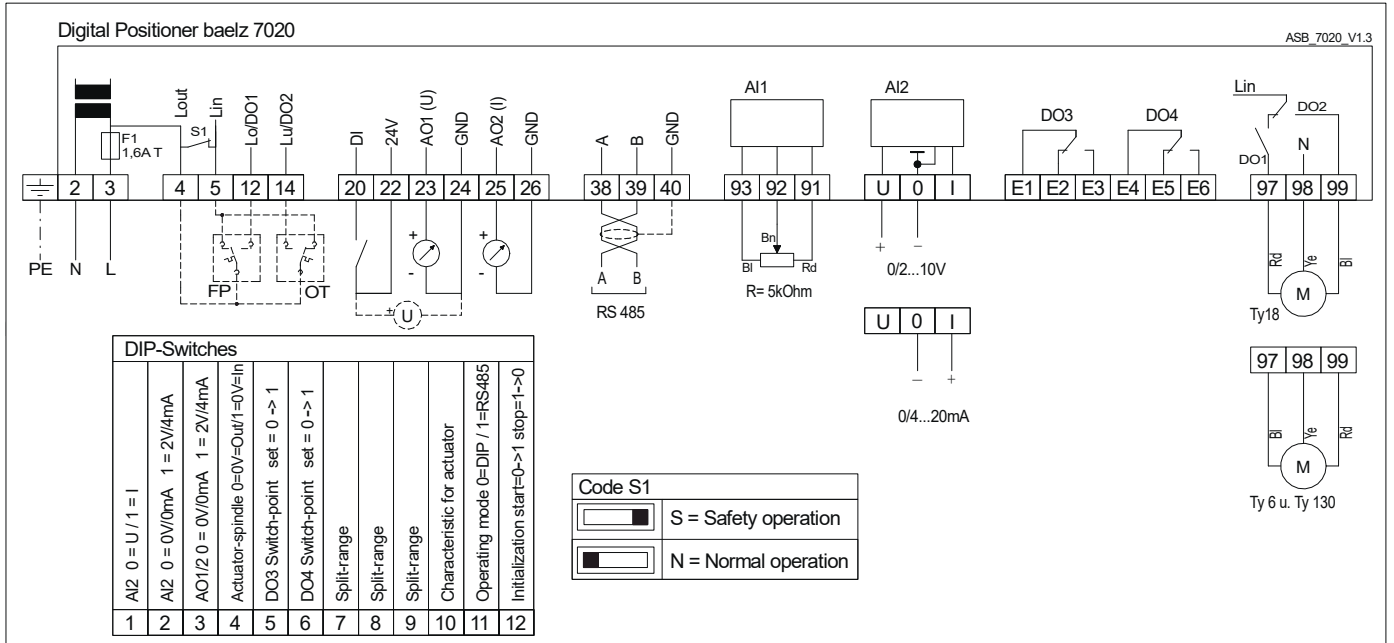


With additional limit switches and feedback potentiometer



373-E07-20-18-S21-2EZ-V2-Fg

Wiring diagram, baelz 7020 digital positioner



baelz 373-E07 with baelz 1020 24/50 Hz electric positioner

