

# 3M™ DBI-SALA® Davit Arm and Mast Extension High Capacity

## Technical Data Sheet

### Description

3M™ DBI-SALA® Davit Arm Systems are designed for manhole and confined space entry/retrieval applications.

The Davit Arm and Mast units are constructed of lightweight materials including high-strength aluminium. The davit pivots for ease-of-rescue and has adjustment for overhead clearance restrictions.

The Davit Arm adjusts to fit most standard entries. Many other portable and fixed bases are available to suit any job site need.

### Specifications

#### Davit Arm and Mast Extension High Capacity

Base Material	Aluminium 6061-T6, powder coat painted, Steel
Capacity	Fall arrest: 1 user (140 kg max) Rescue: 1 user (140 kg max)
Net Weight	8000130 - 16.50 kg 8000131 - 19.20 kg 8000109 - 10.10 kg 8000128 - 6.40 kg 8000129 - 9.10 kg 8000112 - 8.40 kg 8000113 - 10.90 kg 8000114 - 13.50 kg 8000115 - 15.70 kg
Operating Temperature	-40°C to +60°C

### Standards

Standards AS/NZS 5532:2013



8000130

8000131



8000128

8000129



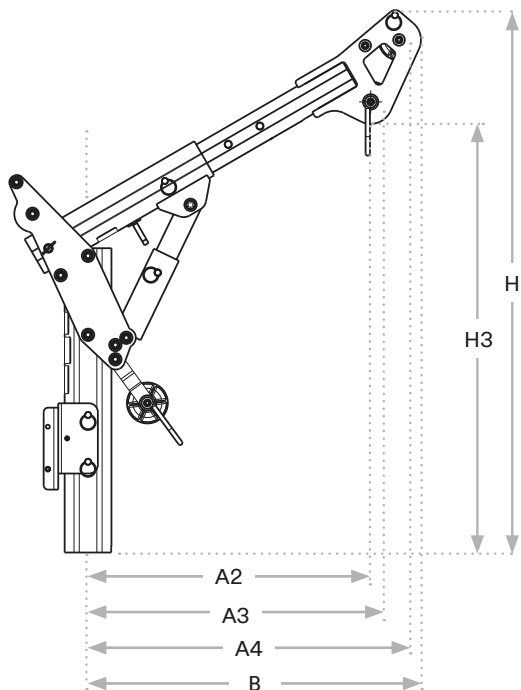
8000109



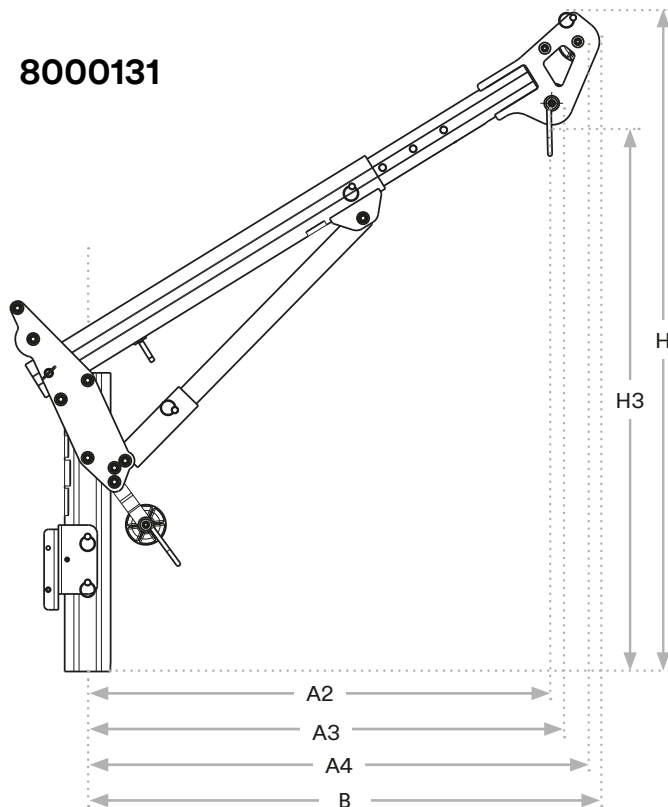
## Short and long reach Davit Arm High Capacity

- External diameter of vertical tube is 10.1 cm
- Caution, min and max offset dimensions length don't correspond to min and max height, see below tables.

### 8000130



### 8000131



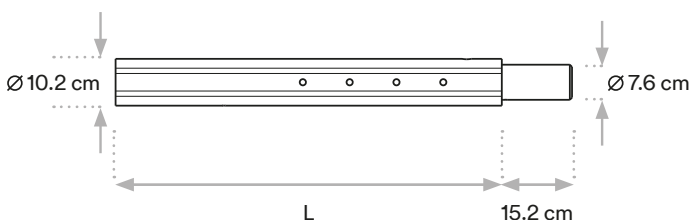
Reach	Min	Max
A2	31.2 cm	61.3 cm
A3	34.7 cm	64.8 cm
A4	36.0 cm	71.0 cm
B	37.3 cm	72.3 cm
Corresponding H3	96.5 cm	93.0 cm
Corresponding H	121.9 cm	117.7 cm

Reach	Min	Max
A2	64.0 cm	102.6 cm
A3	67.5 cm	106.1 cm
A4	68.9 cm	111.9 cm
B	70.2 cm	113.2 cm
Corresponding H3	133.5 cm	120.9 cm
Corresponding H	158.9 cm	145.7 cm

Height	Min	Max
H3	81.1 cm	114.6 cm
H	105.8 cm	140.0 cm
Corresponding A2	40.7 cm	46.7 cm
Corresponding A3	44.2 cm	50.1 cm
Corresponding A4	50.3 cm	51.4 cm
Corresponding B	51.6 cm	52.7 cm

Height	Min	Max
H3	108.4 cm	151.5 cm
H	133.2 cm	176.9 cm
Corresponding A2	82.3 cm	79.6 cm
Corresponding A3	85.8 cm	83.0 cm
Corresponding A4	91.6 cm	84.5 cm
Corresponding B	92.9 cm	85.8 cm

## Davit Mast Extension High Capacity



Part Code:	Length
8000112	53.3 cm
8000113	83.8 cm
8000114	114.3 cm
8000115	144.8 cm

## Compatibility with other Davit High Capacity components\*

### Davit mast extension

Short and long reach davit arm high capacity can have only one davit mast extension.

### Base

Complete davit (mast extension + davit arm) can be used on any fixed or portable davit base high capacity.

### SRL and winches

Authorised SRL and winch can be mounted front or back whether on the universal lower mast or davit mast extension.



8000112



8000113



8000114



8000115

\*See Instructions For Use (IFU)

## Ordering Information

3M Code	Model #	Description
70804508409	8000130	3M™ DBI-SALA® Short Reach Davit Arm High Capacity (14" - 28")
70804508417	8000131	3M™ DBI-SALA® Long Reach Davit Arm High Capacity (27" - 44")
70804503509	8000109	3M™ DBI-SALA® Universal Lower Mast High Capacity
70804507856	8000128	3M™ DBI-SALA® Short Reach Offset Arm High Capacity (14" - 28")
70804507864	8000129	3M™ DBI-SALA® Long Reach Offset Arm High Capacity (27" - 44")

## Important Notice

To the extent permitted by law, 3M shall not be liable for any loss or damage including any loss of business, loss of profits, or for any indirect, special, incidental or consequential loss or damage arising from reliance upon any information herein provided by 3M. Nothing in this statement will be deemed to exclude or restrict 3M's liability for death or personal injury arising from its negligence.

The mounting and use of the product described within this document assumes that the user has previous experience of this type of product and that it will be assembled by a competent professional according to product documentation. Before any use of this product it is recommended to complete some trials to validate the performance of the product within its expected application.

All information and specification details contained within this document are inherent to this specific 3M product and would not be applied to other products or environment. Any action or usage of this product made in violation of this document is at the risk of the user.

Compliance to the information and specification relative to the product contained within this document does not exempt the user from compliance with additional guidelines (safety rules, procedures). Compliance to operational requirements especially in respect to the environment and usage of tools with this product must be observed. 3M (who cannot verify or control these elements) would not be held responsible for the consequences of any violation of these rules which remain external to its decision and control.

Warranty conditions for products are determined with the sales contract documents and with the mandatory and applicable law, excluding any other warranty or compensation.



**3M Australia Pty Ltd**  
**Personal Safety Division**  
Bldg A, 1 Rivett Road  
North Ryde NSW 2113  
TechAssist Helpline: 1800 024 464  
Customer Service: 1300 363 565  
Email: techassist@mmm.com  
Web: www.3M.com/au/ppesafety

**3M New Zealand Ltd**  
**Personal Safety Division**  
94 Apollo Drive, Rosedale  
Auckland 0632  
TechAssist Helpline: 0800 364 357  
Customer Service: 0800 252 627  
Email: techassist@mmm.com  
Web: www.3M.com/nz/ppesafety

3M and DBI-SALA is a trademark of 3M Company.  
Please recycle. Printed in Australia.  
© 3M 2019. All rights reserved.  
AV011479126